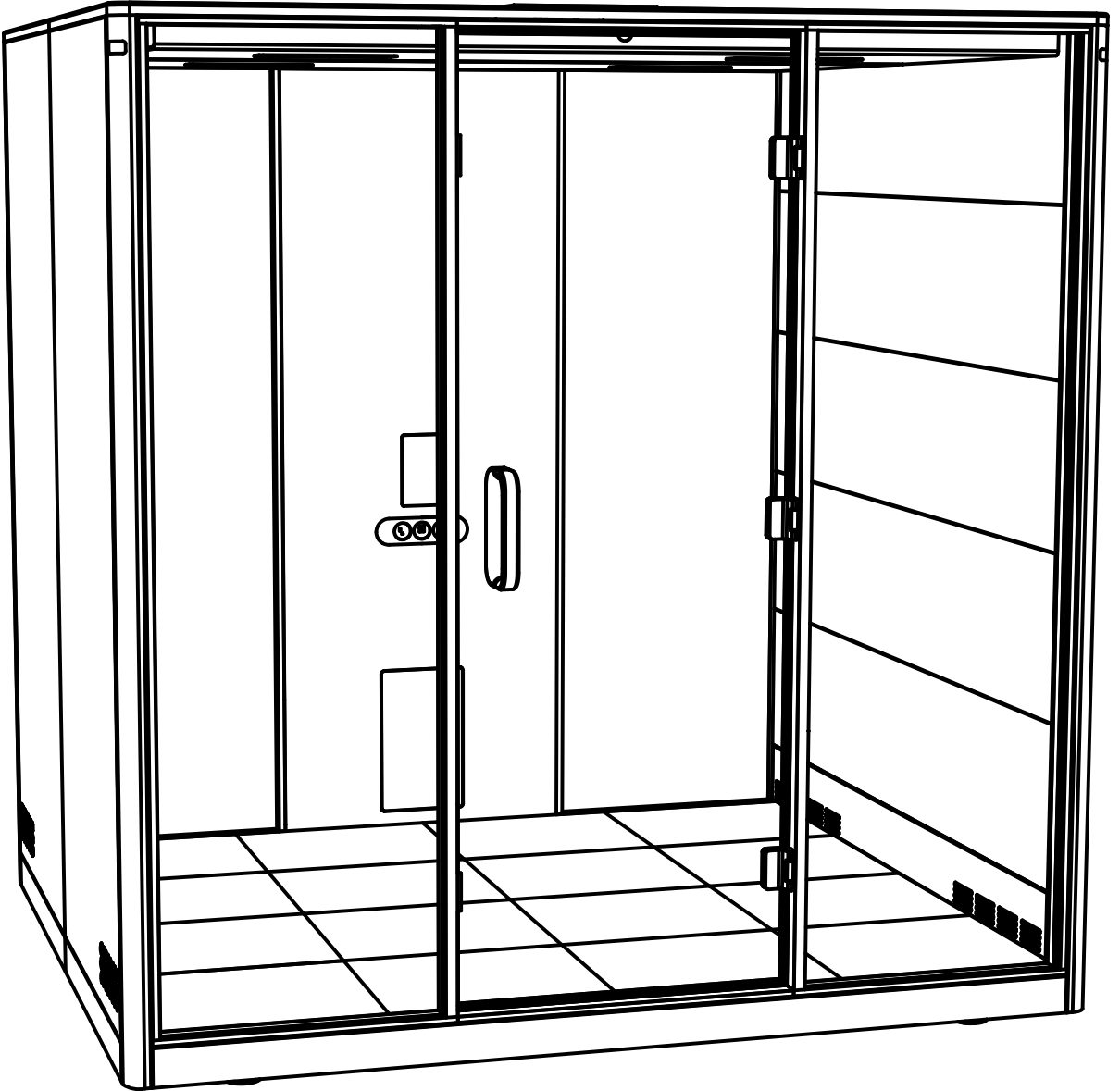


# Calma

nurus



**X LARGE**

User Manual  
Made in Türkiye



# Contents

<b>1.0 - Preface</b>	<b>.4</b>
• 1.1 – Manual Contents	.4
• 1.2 – Product Information	.4
• 1.3 – Intended Use	.4
• 1.4 – Non-conventional Use	.5
• 1.5 – Warning, safety, and information symbols in this manual	.5
• 1.6 – Main safety risks to the installation, maintenance, disassembly, and use of the product	.6
<b>2.0 - Placement of Markings</b>	<b>.9</b>
<b>3.0 – How to Enter the Pod</b>	<b>.11</b>
<b>4.0 – How to Exit the Pod</b>	<b>.12</b>
<b>5.0 – Information About the Ventilaton of the Calma Small</b>	<b>.13</b>
<b>6.0 – How the Motion Sensor Works</b>	<b>.14</b>
<b>7.0 – How to Use the Electrical Sockets</b>	<b>.15</b>
<b>8.0 – How to Use the Calma Control Panel</b>	<b>.18</b>
<b>9.0 – Calma Cleaning Guide</b>	<b>.19</b>

# Important Safety and Product Information

## 1.0 - Preface

This installation manual provides a detailed description on how to install the Calma. Each person involved in the installation of the Calma should read and be aware of the dangers and warnings highlighted in the instructions to achieve maximum safety during the installation process.

This manual contains all the necessary information to correctly install the Calma pod.

All product information and installation manuals can be found on our website:  
[www.calma.nurus.com](http://www.calma.nurus.com)

## 1.1 - Manual Contents

This installation manual contains general information about :

- The installation instructions of the Calma pod.
- Safety information
- Guidelines on the purpose and content of the instructions

## 1.2 - Product Information

The information in this manual reflects the product at the time of delivery. All details provided are accurate as of the publication date.

## 1.3 - Intended Use

The Calma pod is intended for short-term interior use in commercial spaces to be used by one person at a time only.

### **Warning:**

**WARNING** - To prevent burns, fire, electric shock, or injury, only use the product as intended and avoid using accessories not approved by the manufacturer

## 1.4 - Non-conventional Use

Any product use or maintenance not specifically authorized in the installation, maintenance, or user manuals is forbidden. This includes:

- Installing, maintaining, or disassembling the pod without fully understanding the provided instructions
- Using the pod beyond its specified limits
- Modifying or changing the structure of the pod
- Operating the pod despite visible defects or damage
- Using the pod outdoors or in unsafe temperature or air quality conditions
- Climbing on or placing heavy objects on the roof of the product
- Smoking inside the pod

### 1.4.1 - Operating Conditions

The pod is designed to function under the following conditions:

- Temperature range: +15°C to +30°C (59°F to 86°F)
- Maximum humidity: 50%
- Adequate air quality around the product



## 1.5 - Warning, safety and information symbols in this manual

The warnings in this manual are categorized as follows:


- The term "**DANGER**" signifies a hazardous situation that, if not avoided, will lead to death or serious injury.
- The term "**WARNING**" refers to a hazardous situation that, if not avoided, could lead to death or injury.

The safety symbols in this manual may also appear on the product. Anyone involved in installation, disassembly, maintenance, or use of the product must be familiar with and follow all safety symbols, labels, and instructions for the tasks they are performing.

**Table 1: Hazard**

	<p>The symbol of an exclamation mark within a colored triangle signifies a dangerous situation.</p>
	

**Table 2: Mandatory**

	A white symbol within a colored circle signifies an action that needs to be taken to prevent a hazardous situation.
---	---













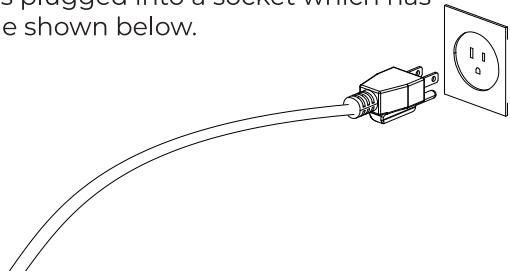
**Table 3: Prohibited Action**

	A circle with a diagonal line shows an action that is prohibited.
---	---





## 1.6 - Main safety risks to the installation, maintenance, disassembly and use of the product

### 1.6.1: Installation, maintenance, and disassembly

	<b>WARNING!</b> To prevent burns, fire, electric shocks, or injuries, follow these safety instructions:
	Wear cut-resistant gloves when installing, maintaining, or taking apart the product.
	Wear steel-toed boots while performing installation, maintenance, or disassembly of the product.
	Be sure to read and fully understand the instructions and plan your task ahead of time.
	Follow all local workplace safety rules and regulations
	Keep the work area clean and free from clutter during installation, maintenance, or disassembly.
	Do not climb on top of the product or place any load on the roof of the product.
	When moving the pod, ensure that the Calma is on its casters to move around easily.
	Do not move the Calma without ensuring the casters are on the ground.

	Do not use the product if the ventilation is not working.
	Do not use the product if the ventilation channels are blocked. Ensure the channels are clear of lint, hair, and similar obstructions.
	If you observe any electrical defects or the product isn't functioning correctly, unplug it and contact the dealer or manufacturer immediately.
	Do not insert or drop anything into any opening unless you are specifically instructed to do so.
	The product is not intended for outdoor use.
	Do not use aerosol (spray) products where there is no oxygen supply
	Do not climb on top of the product or place any load on the roof of the product.
	Do not lean on the pod.
	Do not smoke inside the pod.
	Do not block the view through the front and back glass panels by adding signs, decorations, or installing blinds that prevent people from seeing inside in case of emergencies.
	<b>DANGER!</b> When cleaning and doing maintenance on the Calma, ensure that the power cord is disconnected from the power outlet to avoid electric shock.
	<b>ATTENTION!</b> The Calma will only work with a 100-120 V AC circuit which has a grounding prong. Do not use an adapter with this product otherwise it could affect the function of the pod. Pay attention that the power cord is plugged into a socket which has a grounding prong inlet like the one shown below. 

## 1.6.2: Moving the product on casters

	<p><b>WARNING!</b> The product is very heavy. Moving the product on the casters requires planning and care. Make sure the product cannot tip over while moving.</p>
	<p>Only move the product on even surfaces: no crack or thresholds over 3mm (1/8in) on the intended route.</p>
	<p>When moving the product, only push below the vertical middle. Do not tow the product.</p>
	<p>Do not enter the product if it is standing on the casters. It is only allowed to use the casters for moving the product. Return the full weight of the product onto the leveling feet immediately after relocation and level the floor.</p>



## 2.0 – Marking Placements and Labels

FOR U.S. AND CANADA ONLY

**WARNING!** - Fire and electric shock risk!  
Use only SJT type 14 AWG power cord.

**L'AVERTISSEMENT** - Risque d'incendie et  
de choc électrique, Utiliser uniquement un  
cordon d'alimentation 14 AWG.

### Ceiling unit

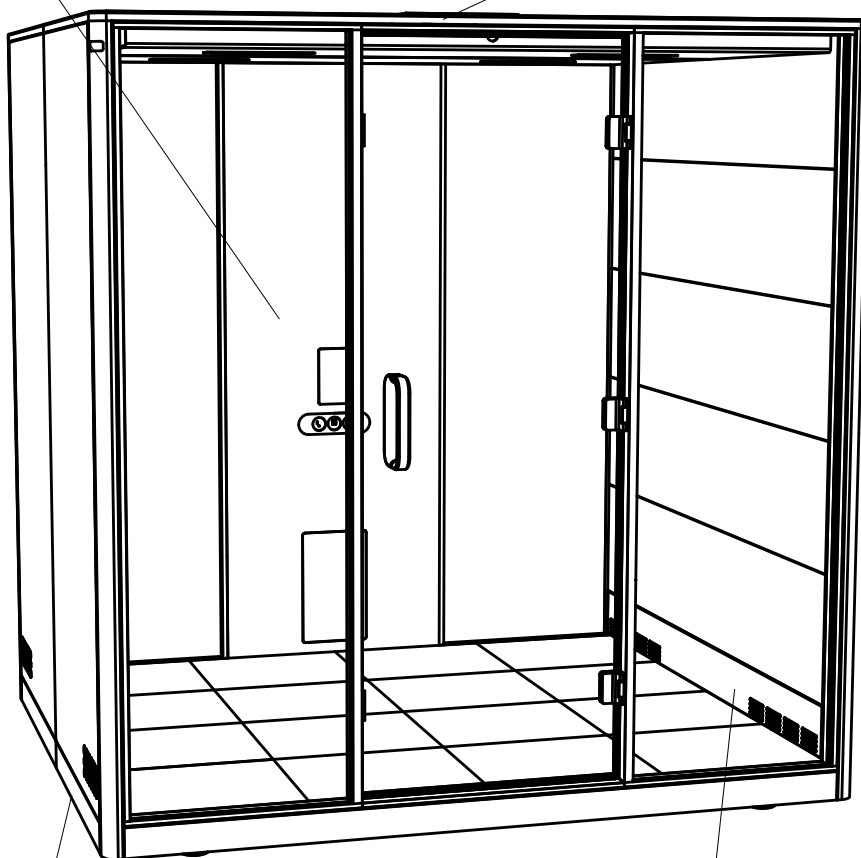
Input: Input:12 -24V DC (2A MAX)

Model:

Rev. 3.1

S/N

**Calma**  
nurus



### WARNING!

#### RISK OF INJURY

Do not use in areas where children or individuals with cognitive disabilities are expected to be present without supervision

### L'AVERTISSEMENT,

#### RISQUE DE BLESSEUR,

Ne pas utiliser ces cabines dans des lieux susceptibles d'accueillir des enfants ou des adultes souffrant de troubles cognitifs sans surveillance.

**Calma**

nurus

Manufacturer/Fabricant: NURUS  
Web: calma.nurus.com  
Email: info@nurus.com.tr  
Oğuz Caddesi no. 25 Sincan/ANKARA

Manufacture date /  
Date de Fabrication




Product / Produit  
Input / Entreé

CALMA  
Input: 100-240V AC (8A) 50/60 Hz

Attention!  
Ensure the product is properly connected to a grounded outlet to prevent the hazard of fire or electric shock.

Attention!  
Branchez toujours le produit dans une prise reliée à la terre pour éviter tout risque d'incendie ou choc électrique.

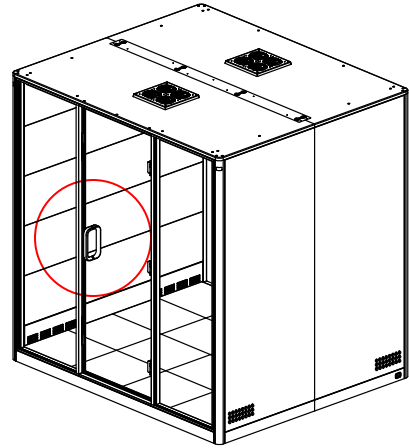


Position	Label	Label Text
1.	<div style="border: 1px solid black; padding: 5px;"> <p><b>Ceiling unit</b></p> <p>Input: Input:12 -24V DC ( 2A MAX)</p> <p>Model:</p> <p>Rev. 3.1</p> <p>S/N</p>  </div>	<p><b>Ceiling unit</b>      Input: 12 - 24V DC (2A MAX)</p> <p>Model: :</p> <p>Rev. 3.1</p> <p>S/N</p>
2.	<div style="border: 1px solid black; padding: 5px;"> <p style="text-align: center;"><b>WARNING!</b></p> <p style="text-align: center;"><b>RISK OF INJURY</b></p> <p style="text-align: center;"><small>Do not use in areas where children or individuals with cognitive disabilities are expected to be present without supervision</small></p> <p style="text-align: center;"><b>L'AVERTISSEMENT,</b></p> <p style="text-align: center;"><b>RISQUE DE BLESSEURE,</b></p> <p style="text-align: center;"><small>Ne pas utiliser ces cabines dans des lieux susceptibles d'accueillir des enfants ou des adultes souffrant de troubles cognitifs sans surveillance.</small></p> </div>	<p style="text-align: center;"><b>WARNING!</b></p> <p style="text-align: center;"><b>RISK OF INJURY</b></p> <p style="text-align: center;"><small>Do not use in areas where children or individuals with cognitive disabilities are expected to be present without supervision.</small></p> <p style="text-align: center;"><b>L'AVERTISSEMENT,</b></p> <p style="text-align: center;"><b>RISQUE DE BLESSEURE,</b></p> <p style="text-align: center;"><small>Ne pas utiliser ces cabines dans des lieux susceptibles d'accueillir des enfants ou des adultes souffrant de troubles cognitifs sans surveillance.</small></p>
3.	<div style="border: 1px solid black; padding: 5px;"> <p style="text-align: center;"><small>FOR U.S. AND CANADA ONLY</small></p> <p style="text-align: center;"><b>WARNING! - Fire and electric shock risk!</b></p> <p style="text-align: center;"><small>Use only SJT type 14 AWG power cord.</small></p> <p style="text-align: center;"><b>L'AVERTISSEMENT - Risque d'incendie et de choc électrique, Utiliser uniquement un cordon d'alimentation 14 AWG.</b></p> </div>	<p style="text-align: center;"><small>FOR U.S. AND CANADA ONLY</small></p> <p style="text-align: center;"><b>WARNING! - Fire and electric shock risk!</b></p> <p style="text-align: center;"><small>Use only 14 AWG power cable.</small></p> <p style="text-align: center;"><b>L'AVERTISSEMENT - Risque d'incendie et de choc électrique, Utiliser uniquement un cordon d'alimentation 14 AWG.</b></p>
4.	<div style="border: 1px solid black; padding: 5px;">  <p style="text-align: center;"><b>Product / Produit</b> <b>Input / Entrée</b></p> <p style="text-align: center;"><small>CALMA SMALL Input: 100-240V AC (8A) 50/60 Hz</small></p> <p style="text-align: center;"><small>Attention! Ensure the product is properly connected to a grounded outlet to prevent the hazard of fire or electric shock.</small></p> <p style="text-align: center;"><small>Attention! Branchez toujours le produit dans une prise reliée à la terre pour éviter tout risque d'incendie ou choc électrique.</small></p> <p style="text-align: center;"><small>Manufacturer/Fabricant: NURUS Web: calma.nurus.com Email: info@nurus.com.tr Oğuz Caddesi no. 25 Sincan/ANKARA</small></p> <p style="text-align: center;"><small>Manufacture date / Date de Fabrication</small></p>  </div>	<p><b>Manufacturer/Fabricant: NURUS</b> <b>Web: calma.nurus.com</b> <b>Email: info@nurus.com.tr</b> <b>Oğuz Caddesi no. 25 Sincan/ANKARA</b></p> <p><b>Manufacture date / Date de Fabrication</b></p> <p><b>Product / Produit</b> <b>Input / Entrée</b></p> <p><b>Attention!</b> <b>Ensure the product is properly connected to a grounded outlet to prevent the hazard of fire or electric shock.</b></p> <p><b>Attention!</b> <b>Branchez toujours le produit dans une prise reliée à la terre pour éviter tout risque d'incendie ou choc électrique.</b></p> <p><b>CALMA :</b> <b>Input 120 VAC (8A) 50-60 Hz</b></p>

## 3.0 – How to Enter the Pod

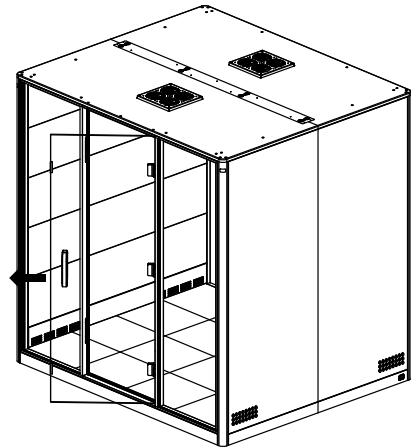
1.

- Place your hand on the door by wrapping your hand around the handle.



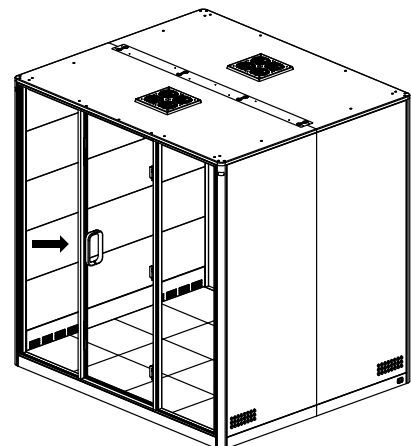
2.

- Pull the door towards yourself to open the door. The magnet will release when pulled with enough force.



3.

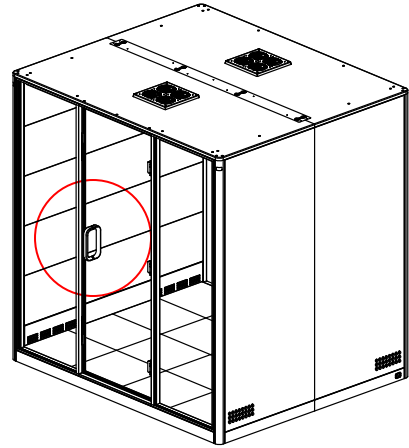
- Once you have entered the pod, pull the door to yourself once again and you will feel the magnets pull the door shut.



## 4.0 – How to Exit the Pod

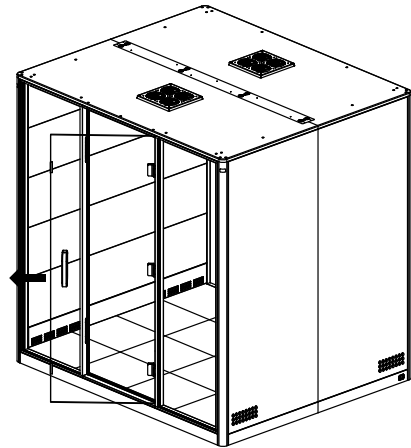
1.

- Place your hand on the door by wrapping your hand around the handle



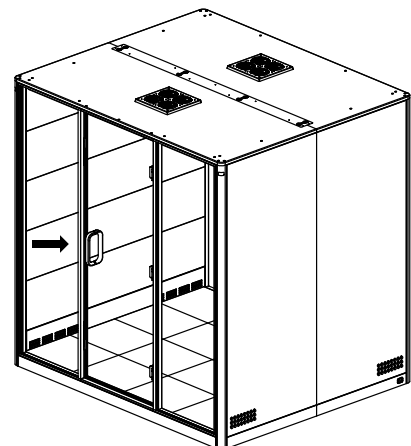
2.

- Push the door away from yourself to open the door. The magnet will release when pushed with enough force.



3.

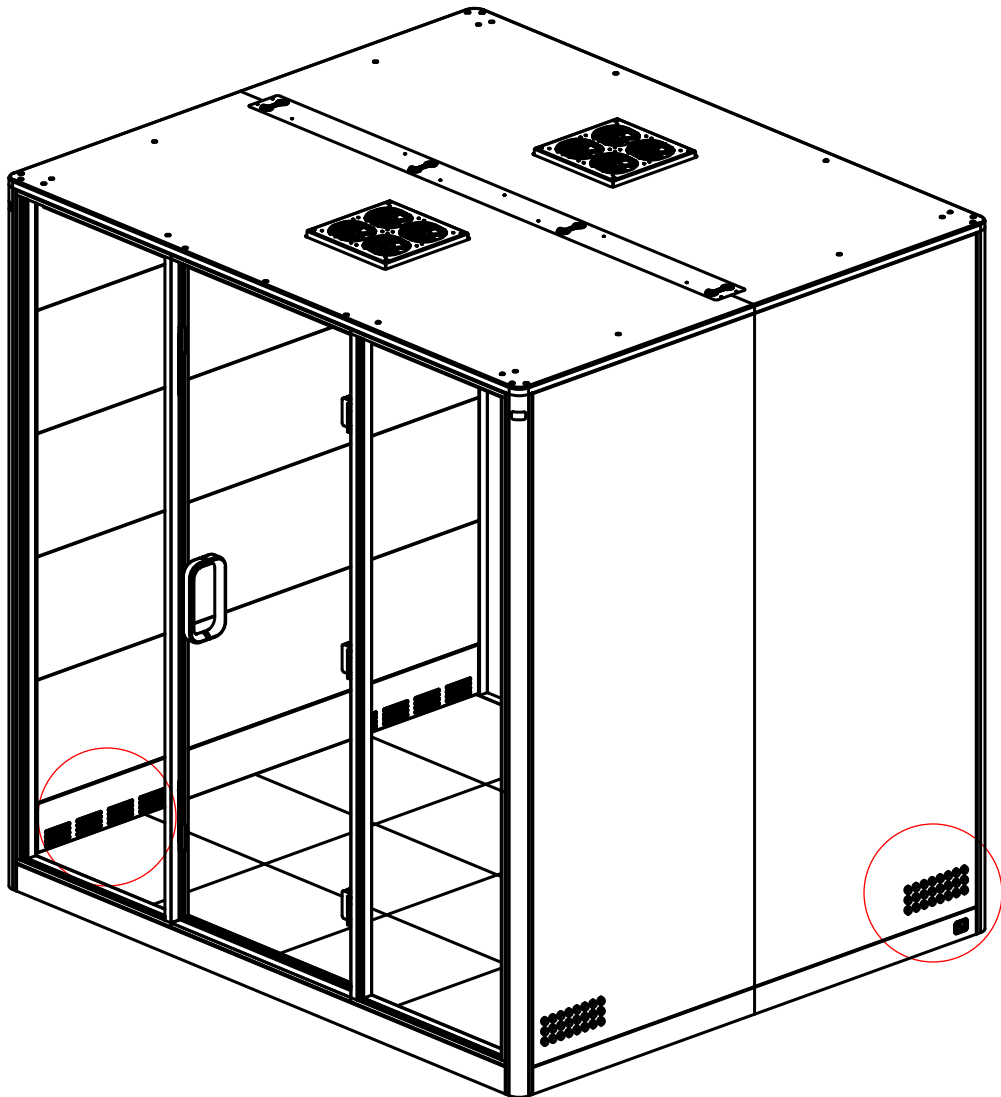
- Once you have exited the pod, push the door away from yourself once again and you will feel the magnets pull the door shut.



## 5.0 – Information About Ventilation of the Calma Medium

### ATTENTION!

- Ensure that nothing is placed in front of the ventilation holes on the outside of the Calma.
- The same precaution should be taken for the ventilation grilles on the inside.



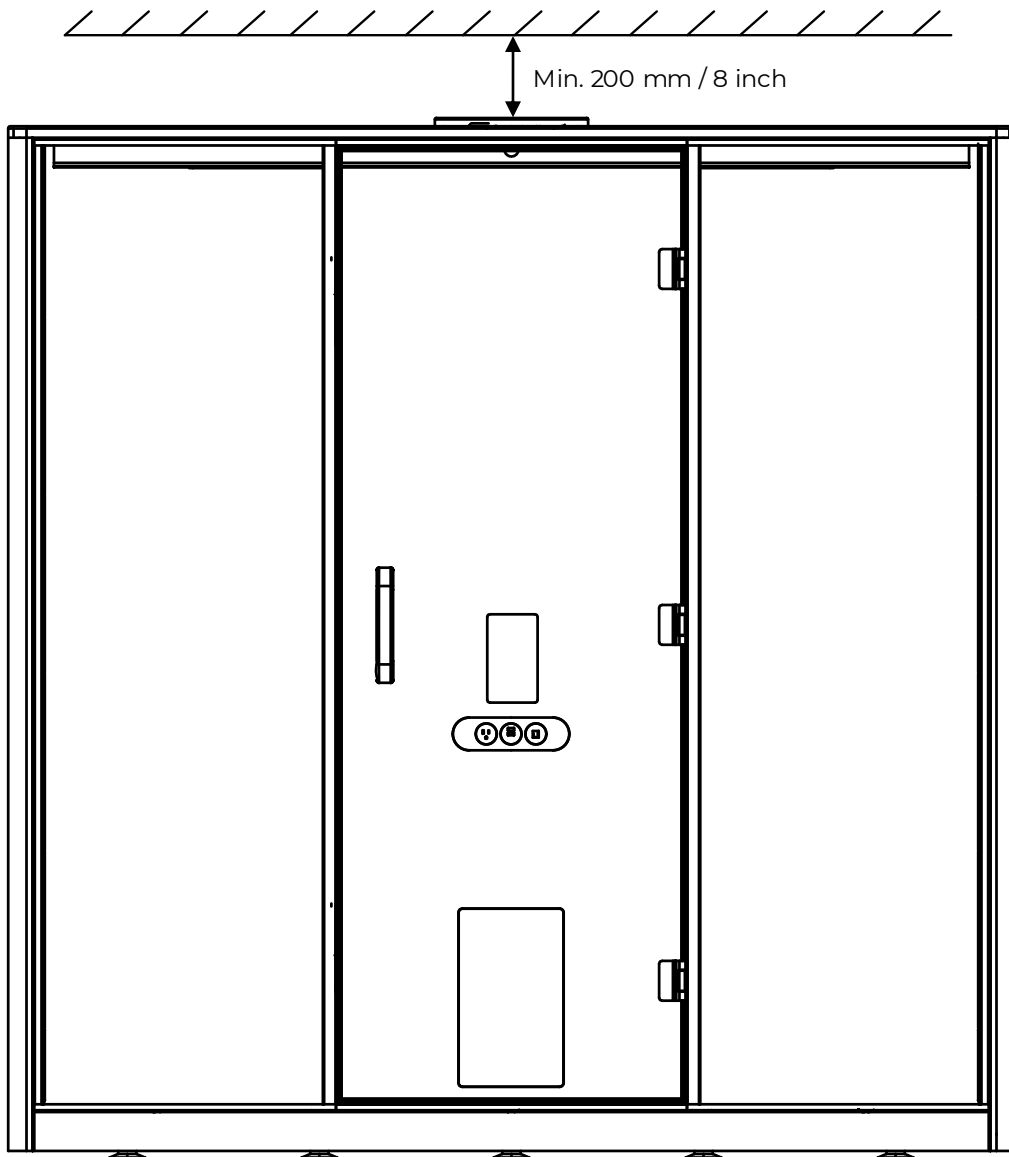
### WARNING –

Placing objects in front of the ventilation areas will cause improper air circulation decreasing the air quality within the pod.

## 6.0 – Information About Ventilation of the Calma Medium

### ATTENTION!

- The roof of the Calma and the ceiling of the building should have a minimum distance of 200 mm / 8 inches between them.



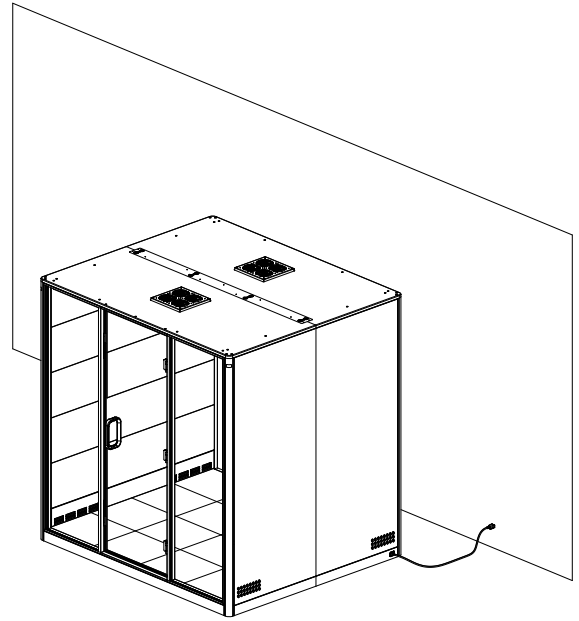
### WARNING –

If the fan units are too close to the ceiling of the building, the airflow within the Calma will not function properly.

## 7.0 – How the Motion Sensor Works

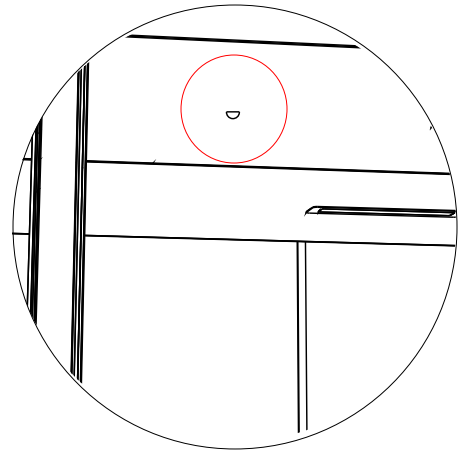
1.

- Once the Calma is plugged into an electrical outlet, the lights will turn on for **15 seconds**. Once it turns off, the sensor is ready for motion detection.



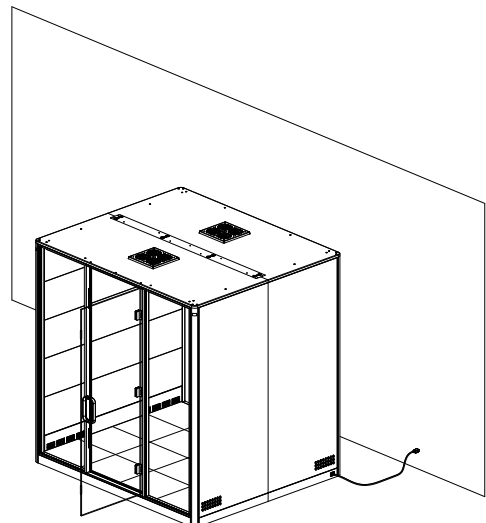
2.

- Once you enter the pod, the sensor will continuously detect your motion in order to stay on whilst you are inside.



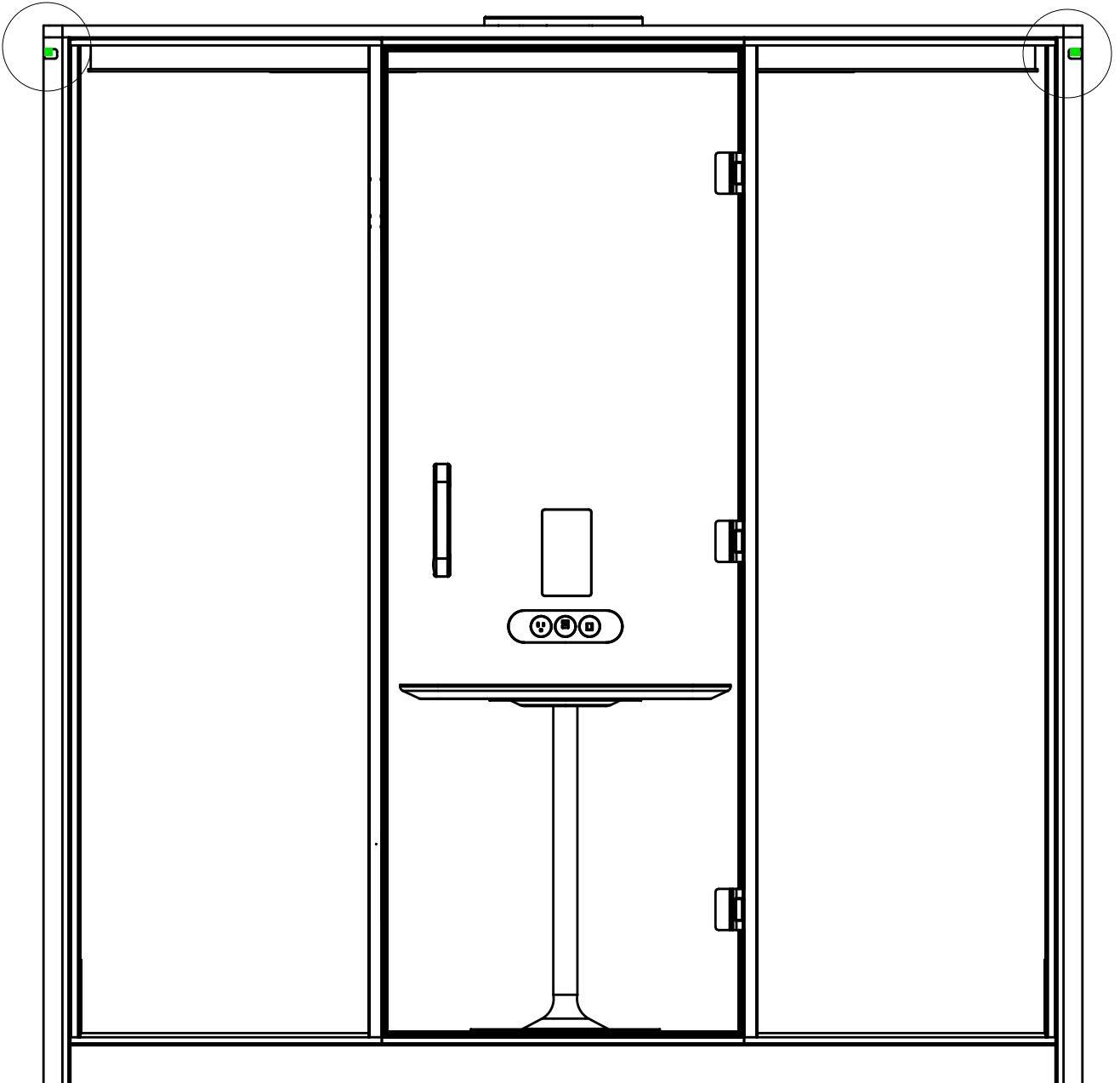
3.

- When you exit the Calma, it will take **one minute** to turn off after it stops detecting motion inside the pod.



## 8.0 – How the Motion Sensor Works

When you enter the Calma the occupancy light will turn from green to red to indicate that it is being used.

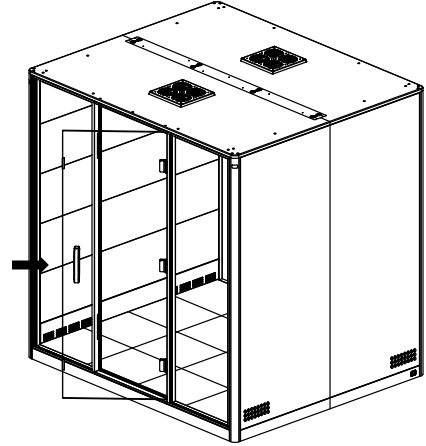




## 9.0 – How to Use the Electrical Sockets

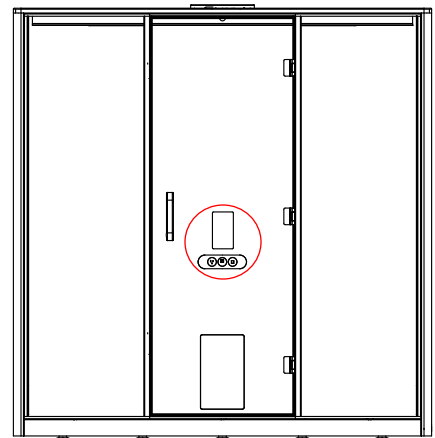
1.

- Firstly, enter the Calma to access the electrical sockets



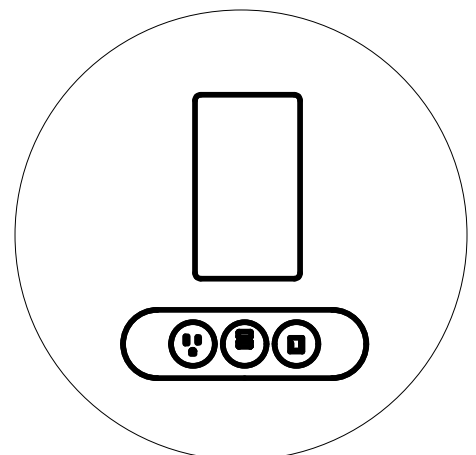
2.

- They are located on the back wall of the Calma



3.

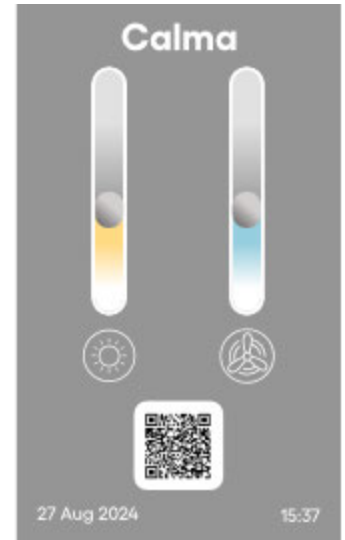
- The electrical socket includes two power sockets and two USB ports.



# 10.0 – How to Use the Calma Control Panel

1.

- The control panels work with two sliders to adjust the lighting and the fan speed



2.

## Adjust the Overhead Light

- The lighting control slider is located on the left side of the screen.
- Place your finger on the gray button
- Slide your finger up and down on the screen to adjust the overhead light.



3.

## Adjust the Fan Speed

- The lighting control slider is located on the right side of the screen.
- Place your finger on the gray button.
- Slide your finger up and down on the screen to adjust the fan speed.



# 10.0 – Calma Cleaning Guide

## **Warning!**

**Before starting any cleaning process, ensure the power cable is unplugged. If you plan to use a vacuum cleaner, do not plug it into the pod.**

### **1) HDF Exterior & Flat Surfaces**

- Once a week, clean the exterior surfaces of the pod with a clean, damp microfiber cloth that does not leave lint.
- Avoid using abrasive agents or abrasive cleaners.
- If necessary, use a pH-neutral cleaner for the best results.

### **2) Tabletop**

- At least twice a week, clean the tabletop inside the pod with a clean, damp microfiber cloth that does not leave lint.

### **3) Door Handles**

- Clean everyday the handles inside and outside the pod with a damp microfiber cloth. After cleaning, wipe the handles dry.

### **4) Aluminum Corners & Glass Frames**

- Once a week, clean the threshold plate, glass, door frame and all aluminum corners with a damp cloth or a pH-neutral cleaner.
- If necessary, use a pH-neutral cleaner for the best results.
- Avoid using abrasive agents or abrasive cleaners.

### **5) Glass Surface**

- Once a week, clean glass surfaces using a damp cloth, wiping in circular motions.
- When applying glass cleaner, spray it on the cloth, not directly on the surface.
- Use cleaning products designed for glass and mirrors to avoid streaks.

## 6) Ventilation System

- Every six months, clean the fan unit regularly using a vacuum cleaner or a damp cloth to remove the dust and debris.
- Every 5 years, clean the fan's ventilation duct. To clean the ventilation duct, fan unit located on the ceiling must be removed. Use a vacuum cleaner to clean the ventilation duct.
- Avoid placing the vacuum hose between the fan blades.

## 7) Upholstered Acoustic Wall Panel

- Once a month, use a vacuum cleaner to remove the dust from the upholstered acoustic panels inside the pod.
- Clean the panels with warm water and mild soap. Use a soft cloth, wrung out, to avoid excess moisture.
- For tougher stains, steam cleaning can be applied.

## 8) Felt (Side Walls & Ceiling)

- Once a month, vacuum cleaner should be used for the felt surfaces to remove dust and dirt.
- Wipe down with a damp cloth for routine cleaning.

## 9) Carpeted Floor

- Once a week, vacuum the carpeted floor to remove dust and debris.
- For a deeper clean, use a carpet cleaning machine following the product's instructions.
- Always test any cleaning products on a small, hidden area to ensure they do not damage the carpet.

## 10) Lighting and Kickplate

- Ensure the lighting and kickplate areas are cleaned with a damp cloth only when the pod is powered off.
- Allow the areas to fully dry before reattaching or reactivating the pod.

## 11) Touch Control Panel

- Once a week, clean the surface regularly with a soft, damp microfiber cloth to remove dust and dirt.

- Do not use any chemical cleaning agents, solvent-based substances or abrasive products.
- Avoid using aggressive cleaning tools like hard brushes or sponges that could scratch or harm the material.

### **Caution!**

**After cleaning all surfaces, make sure the pod is completely dry before powering it back on.**



**Calma**

**by nurus**

**MEDIUM**

User Manual  
Made in Türkiye