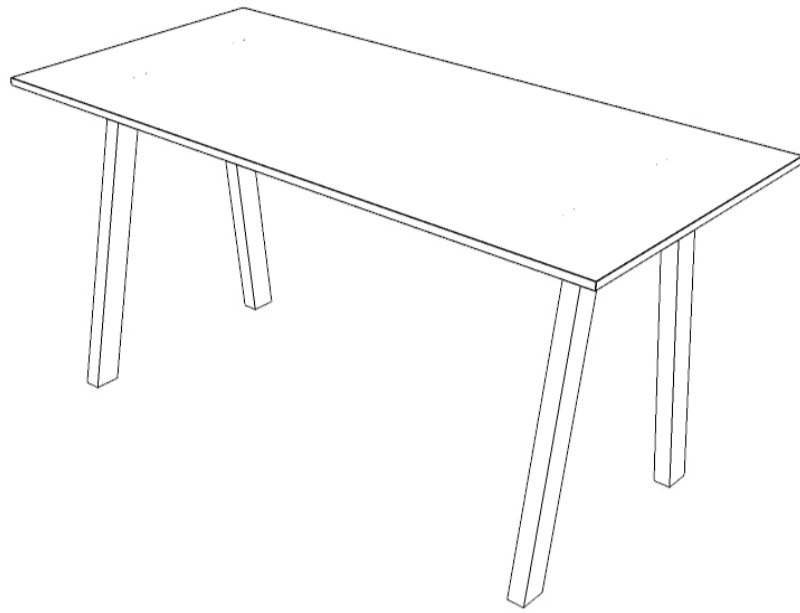
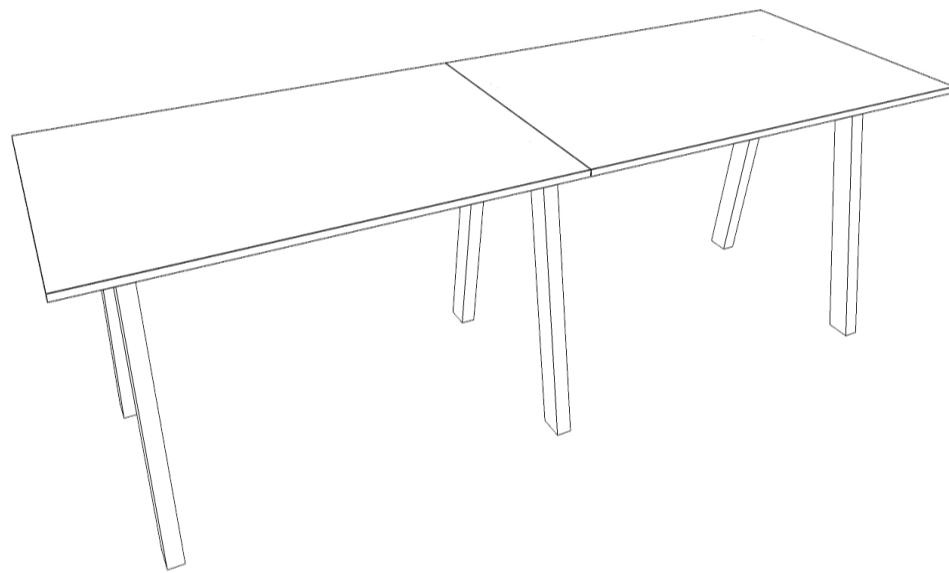


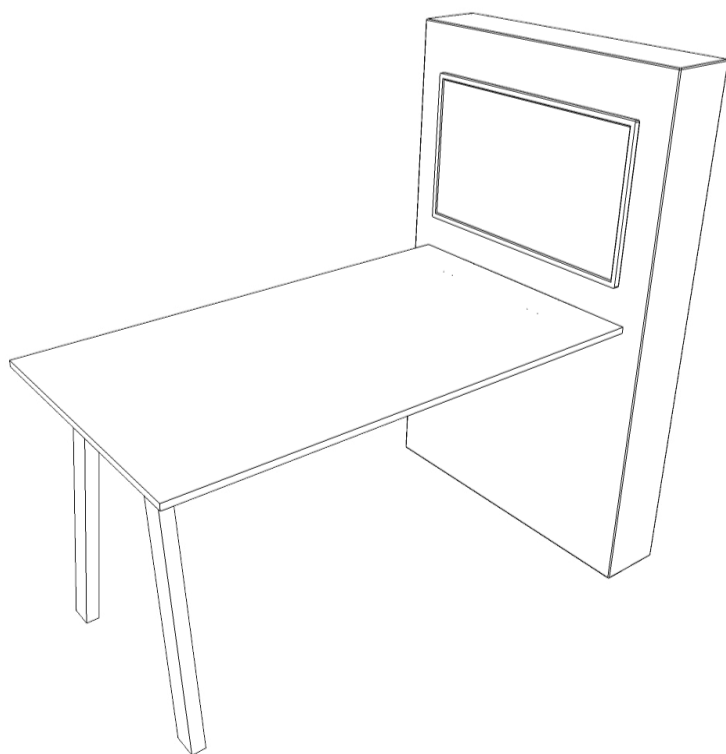
# **HYBRID TABLE (STANDING/SITTING) & MEDIA SCREEN INSTALLATION MANUAL**



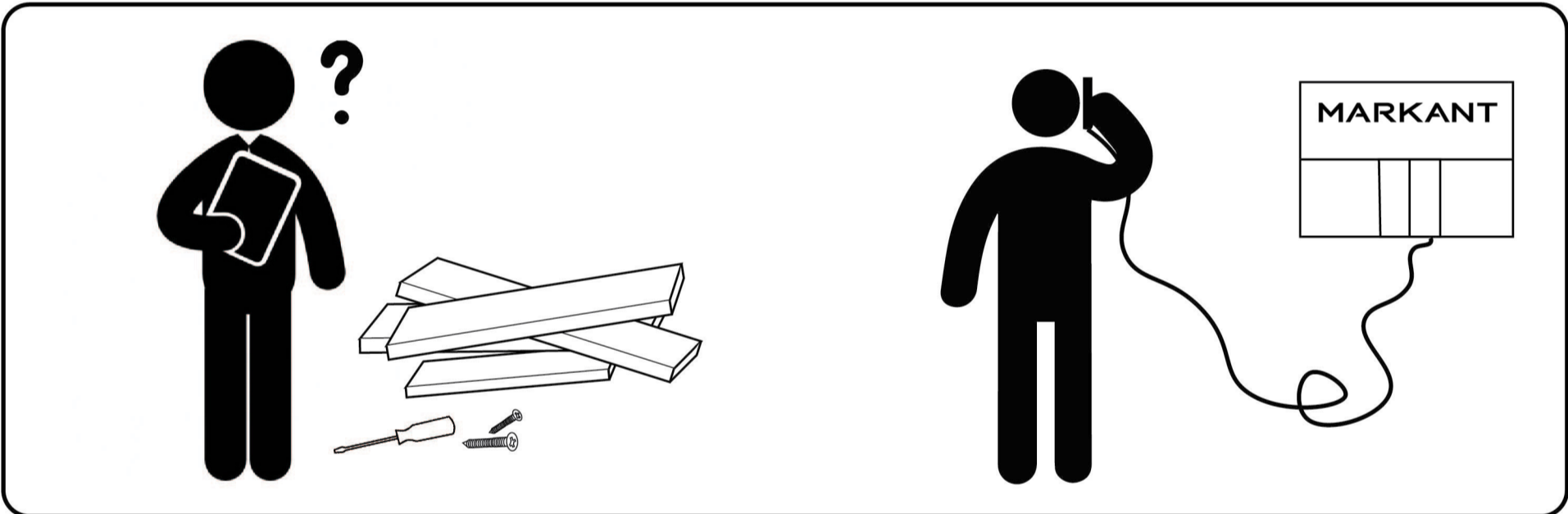
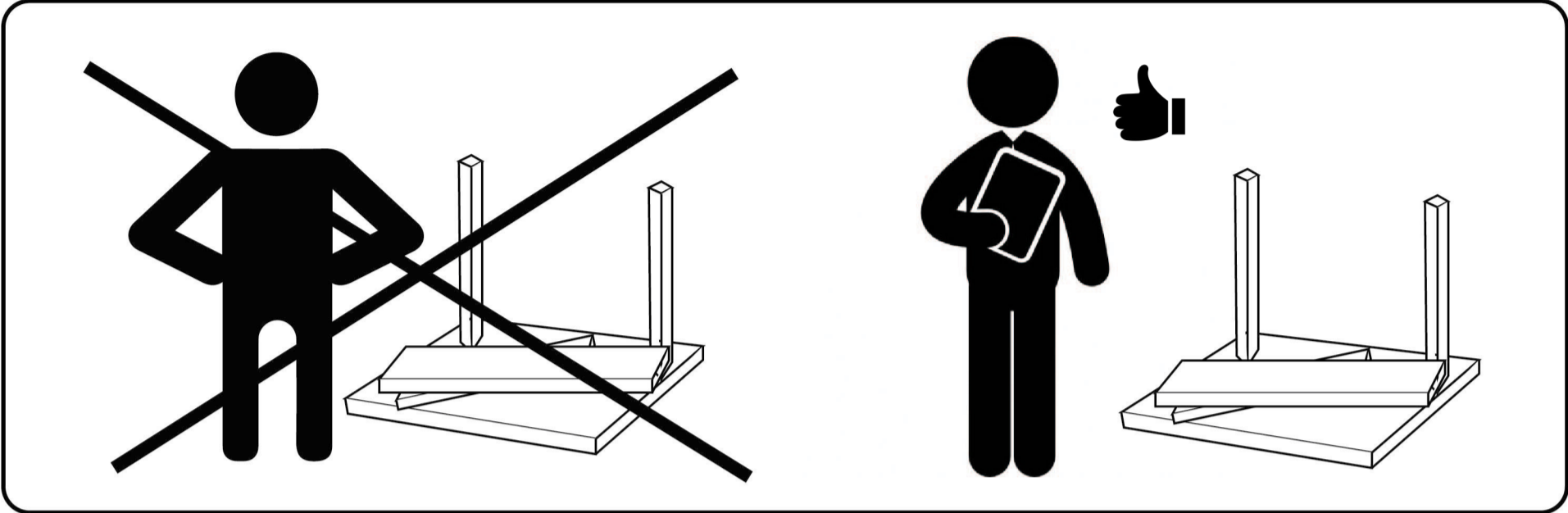
**HYBRID TABLE - 2 LEGS**



**HYBRID TABLE - 3 LEGS**



**MEDIA SCREEN**



# INDEX

## Chapter

## Page

[HARDWARE](#)

page 1

[HYBRID TABLE 2 LEGS](#)

page 2-5

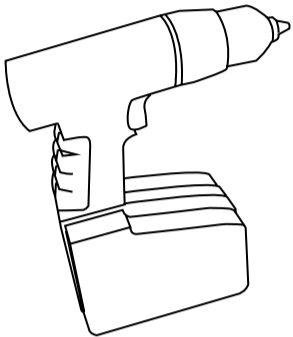
[HYBRID TABLE 3 LEGS](#)

page 6-10

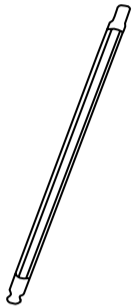
[MEDIA SCREEN](#)

page 11-15

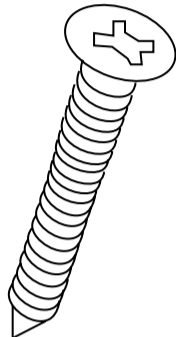
# HARDWARE



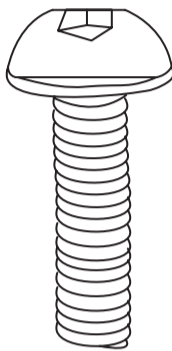
Power tool



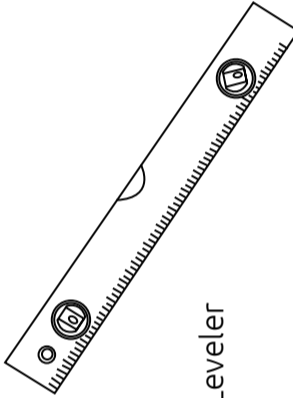
Allenkey



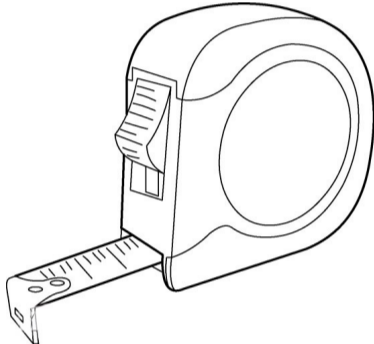
p/h Chipboard Screw  
5x20



Button cap M6 x40



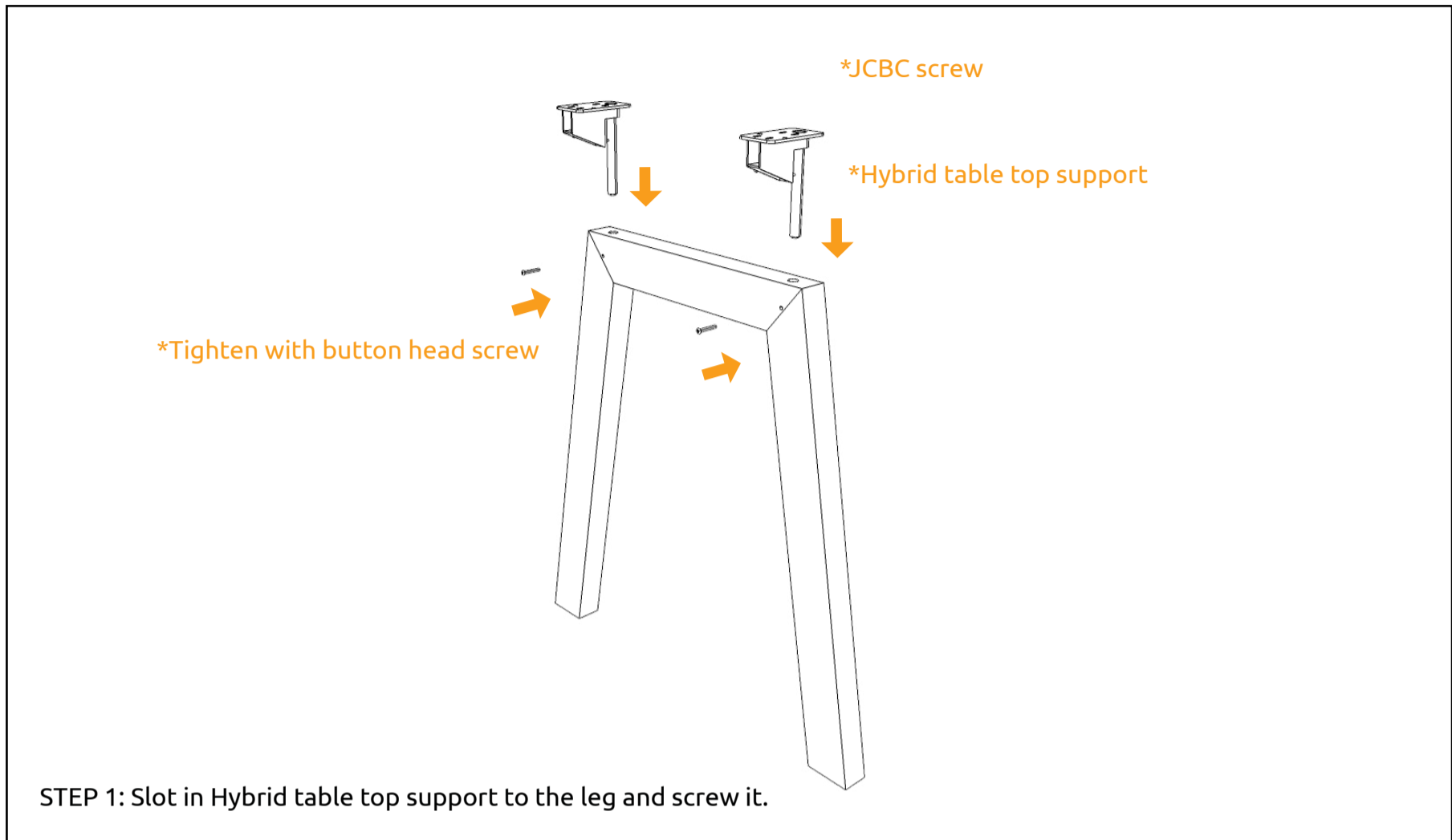
Leveler



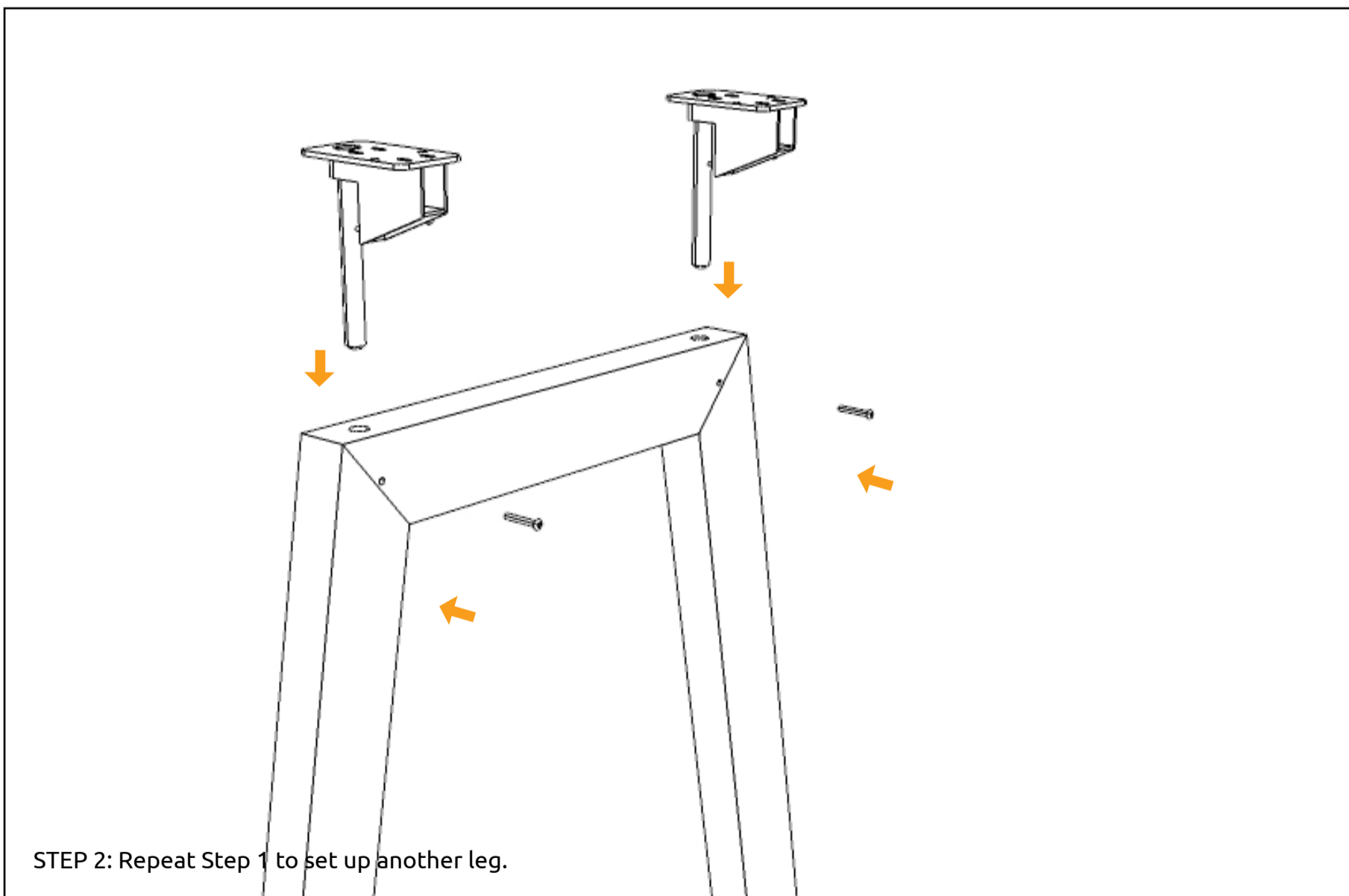
Measuring Tape

*\*POWER TOOL, ALLEN KEY & LEVELER ARE NOT INCLUDED*

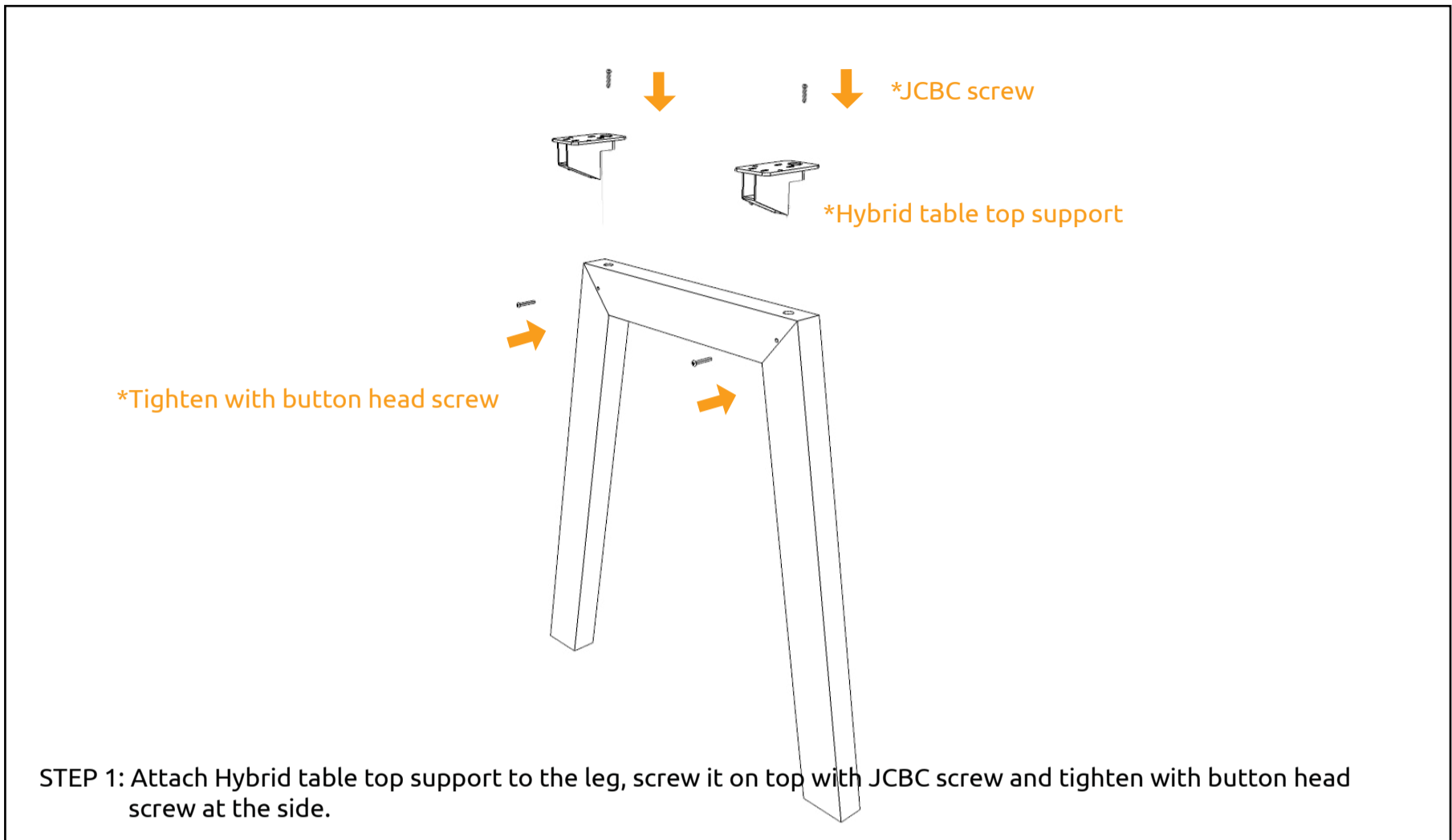
# HYBRID TABLE (2 LEGS)



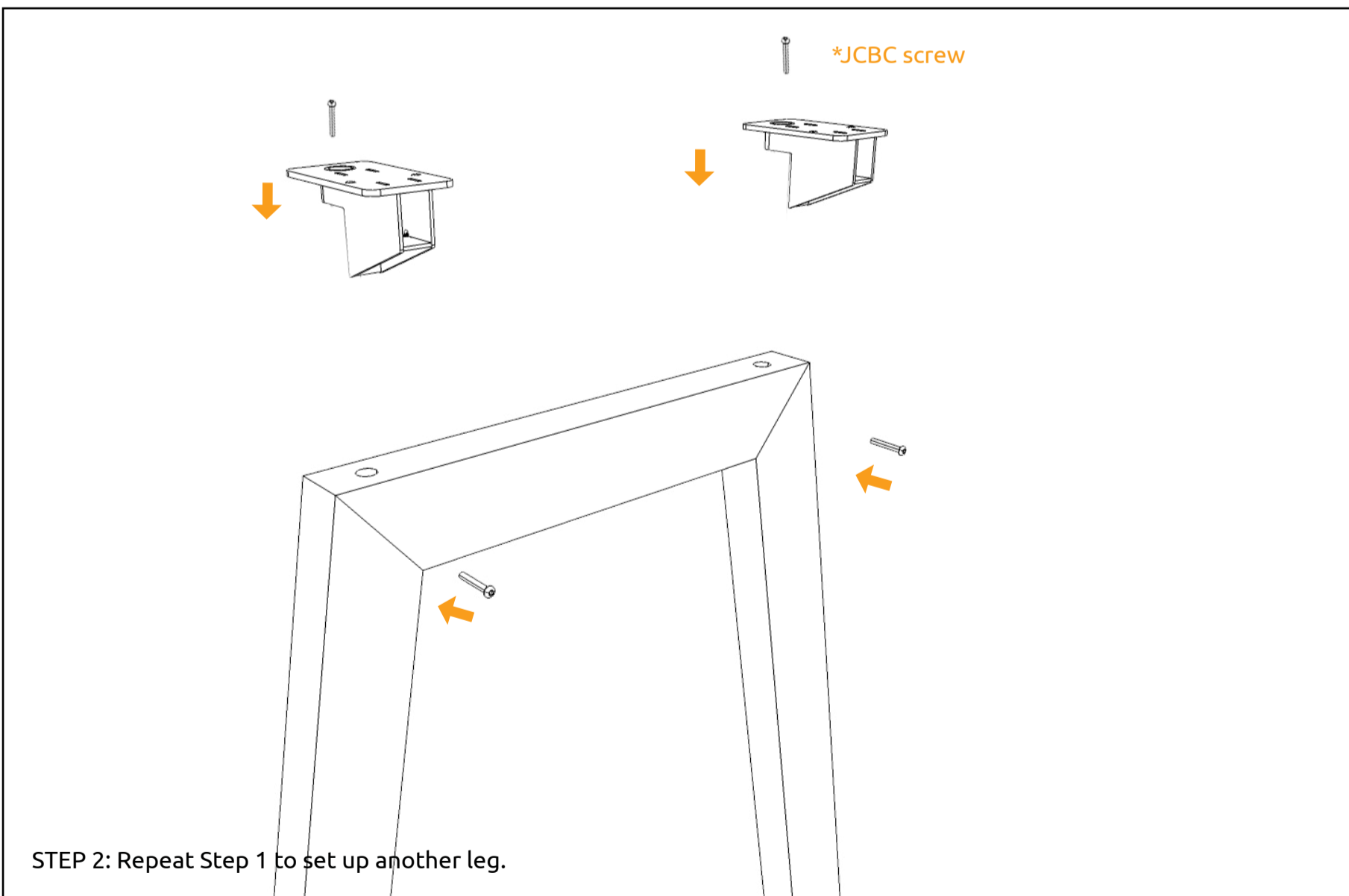
OPTION 1 WOODEN LEG : Above table top support installation is only for wooden leg.



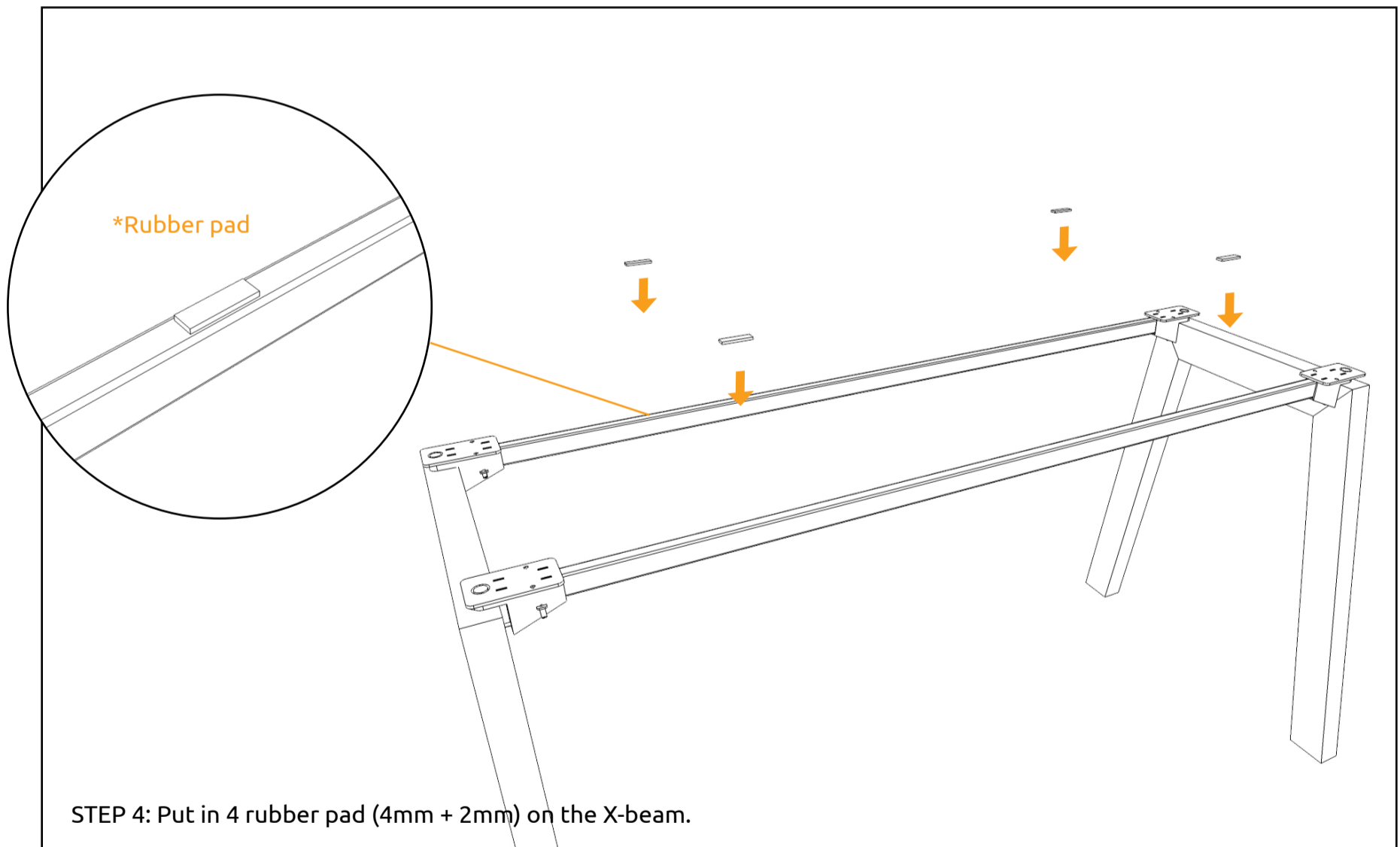
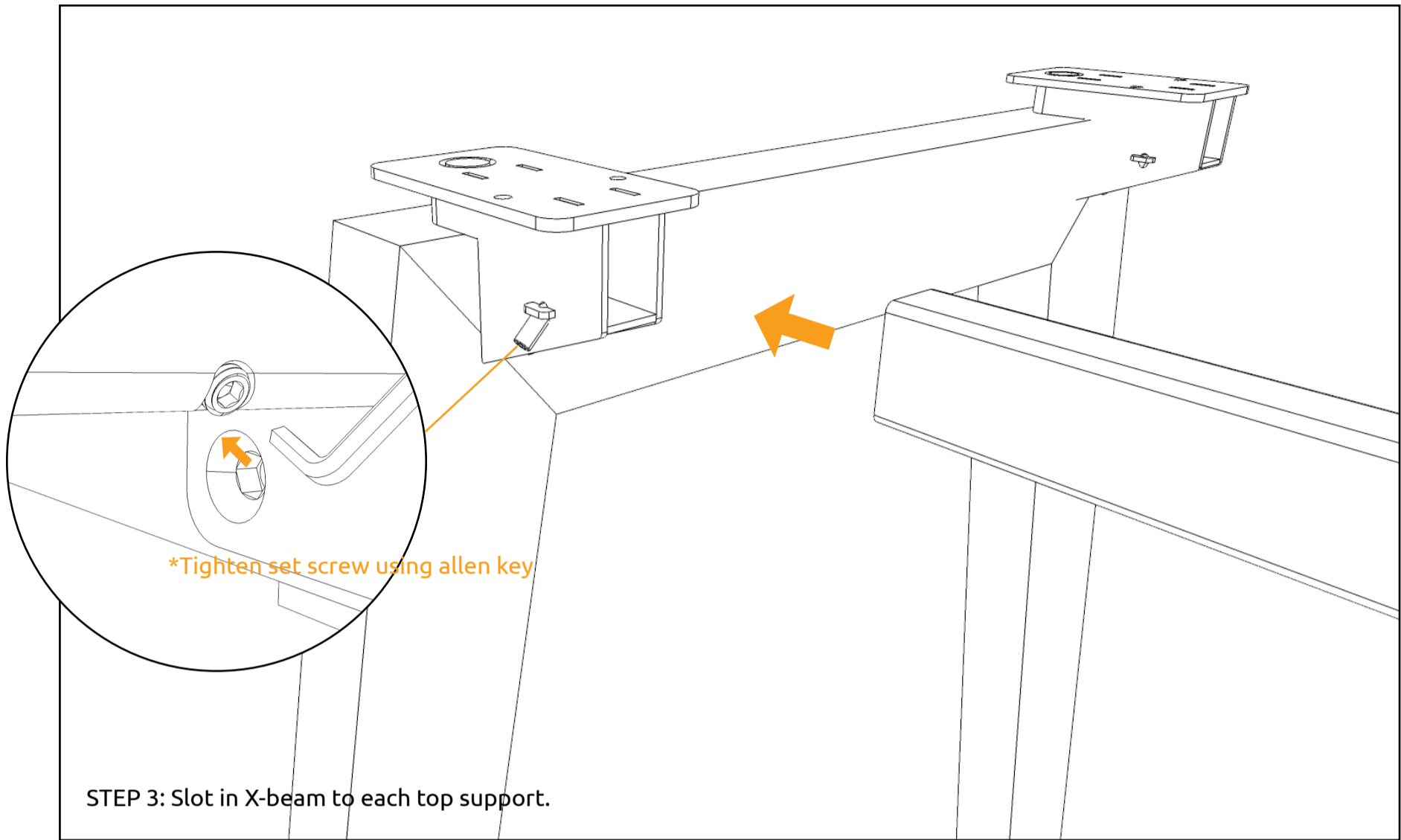
OPTION 1 WOODEN LEG : Above table top support installation is only for wooden leg.



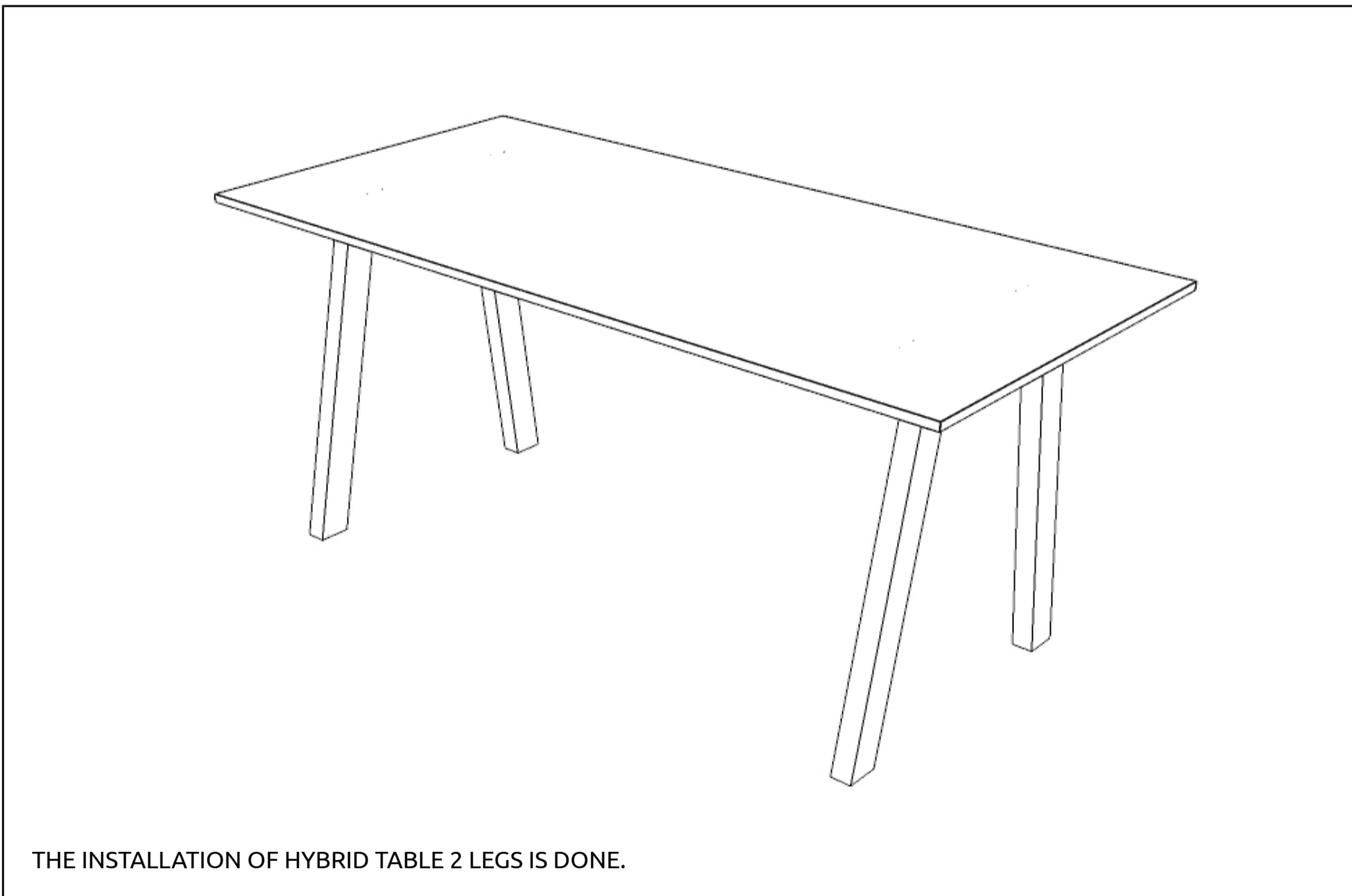
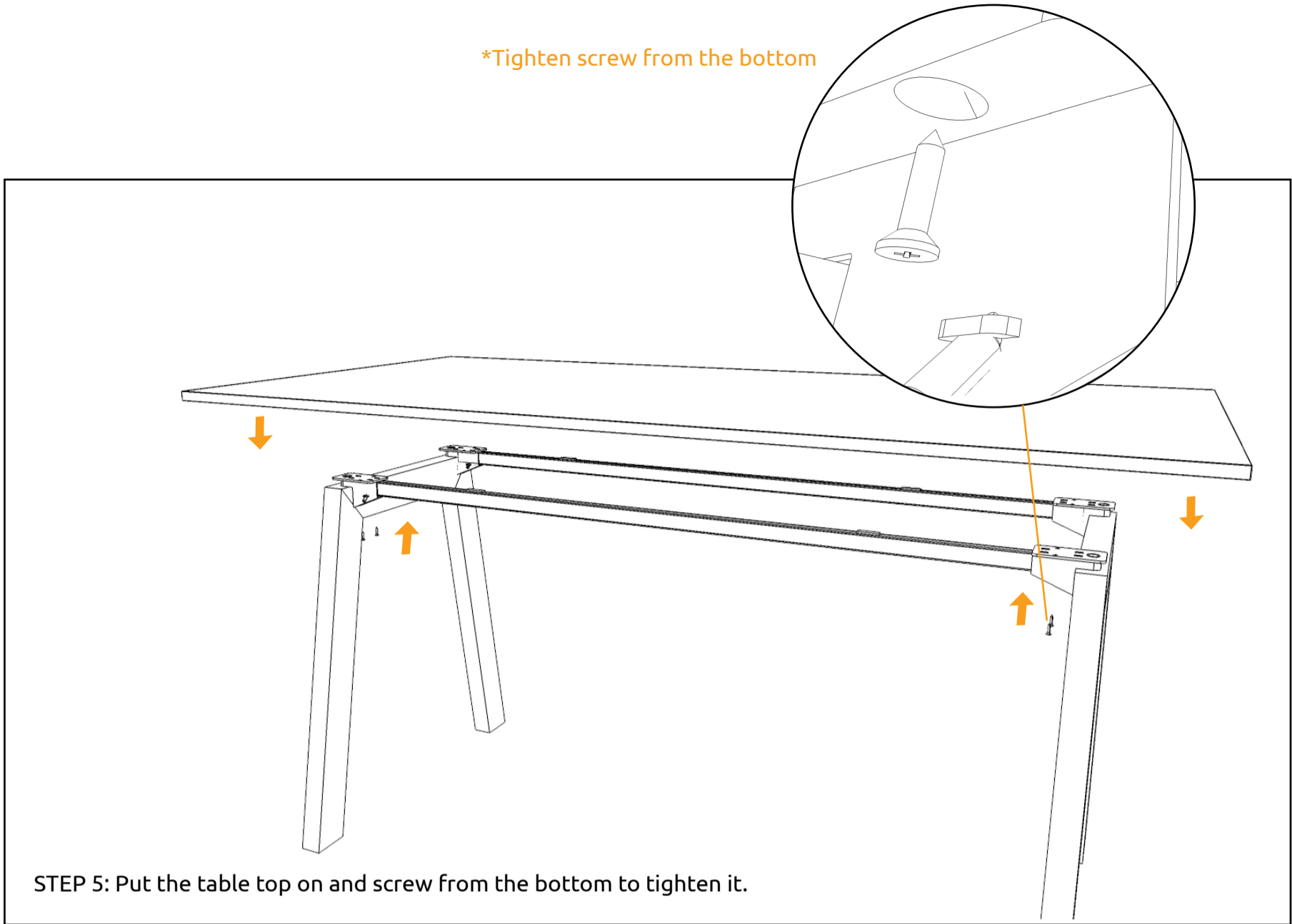
OPTION 2 ALUMINIUM LEG : Above table top support installation is only for aluminium leg.



OPTION 2 ALUMINIUM LEG : Above table top support installation is only for aluminium leg.

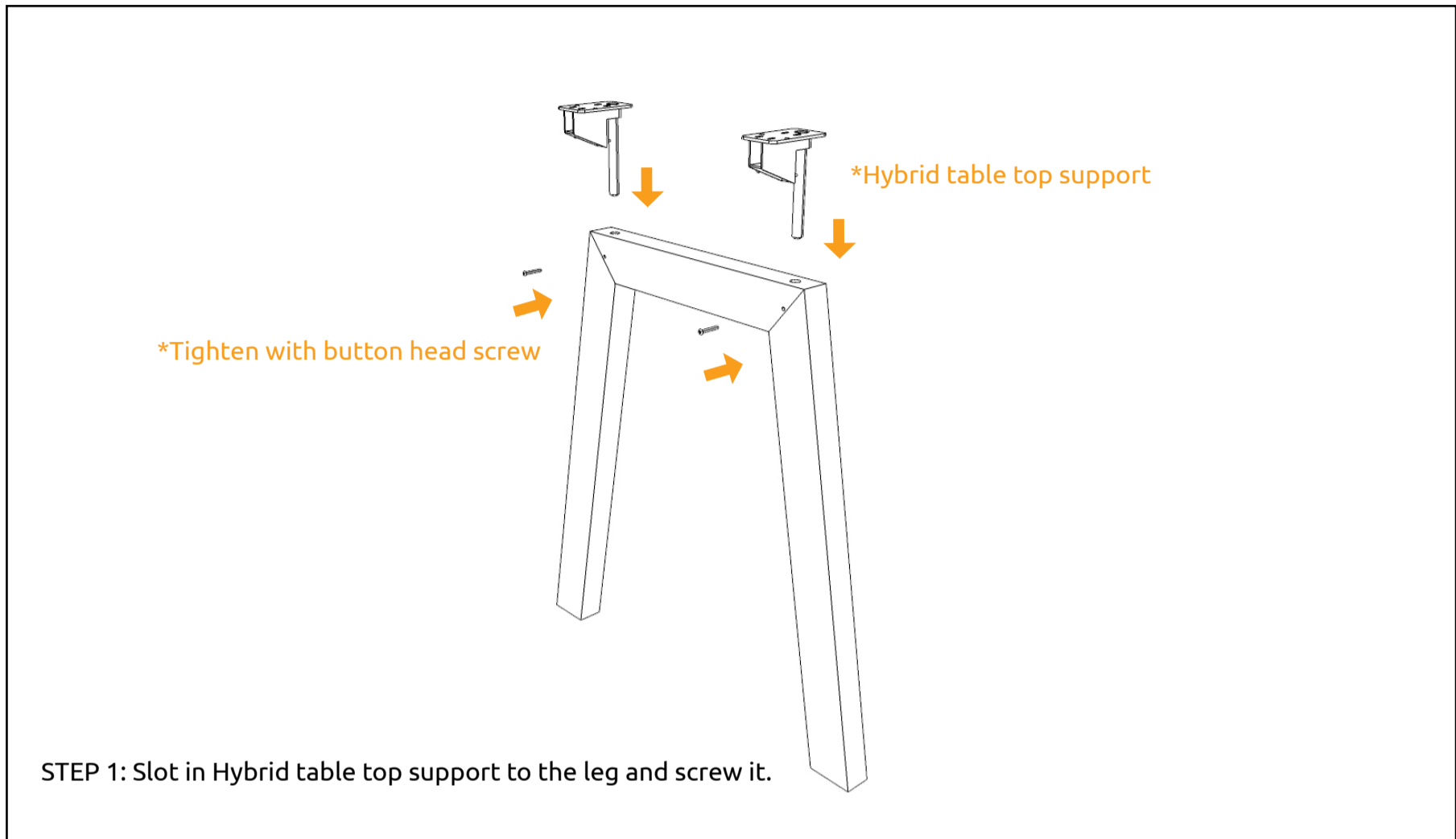


\*Tighten screw from the bottom

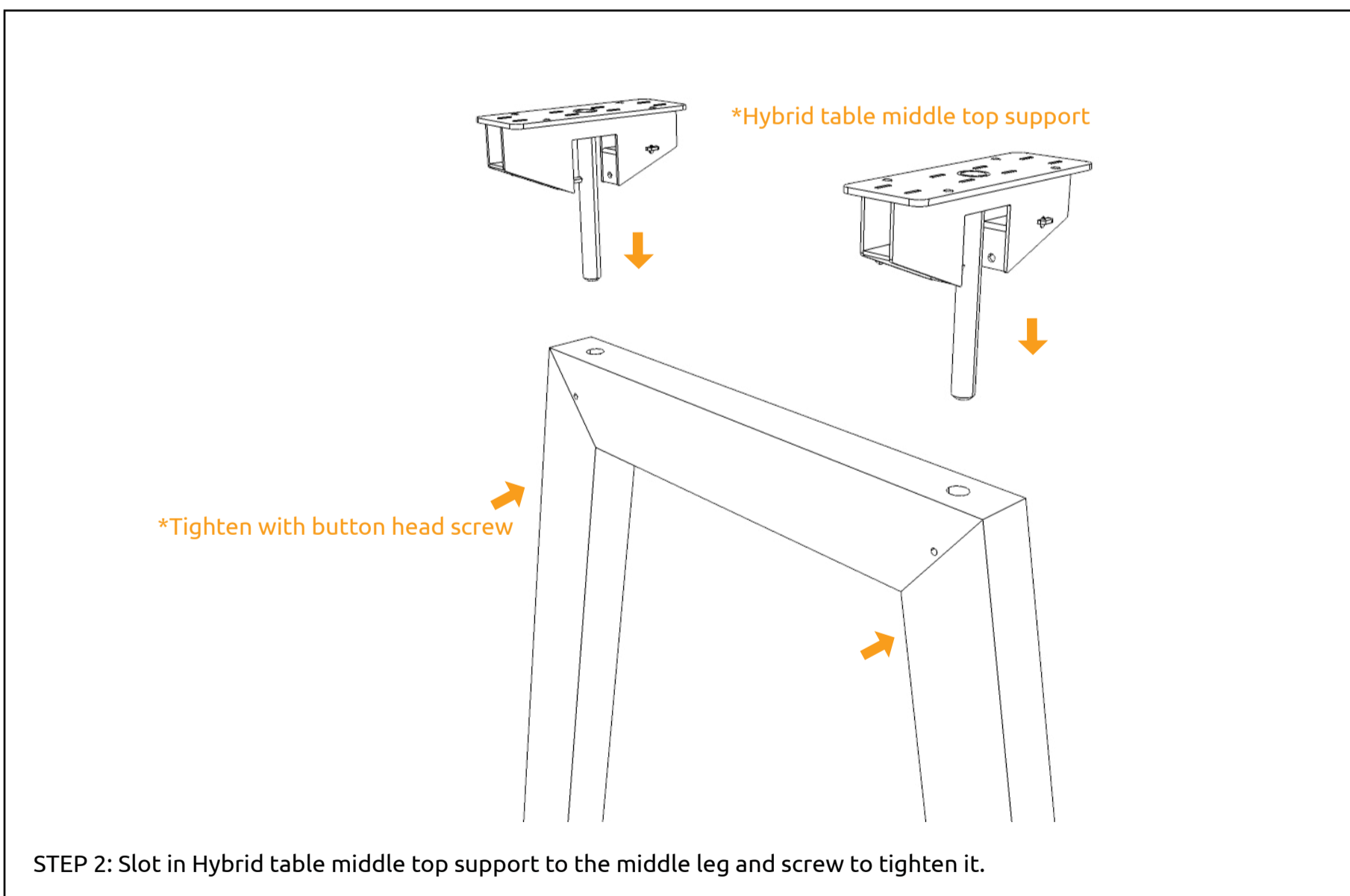




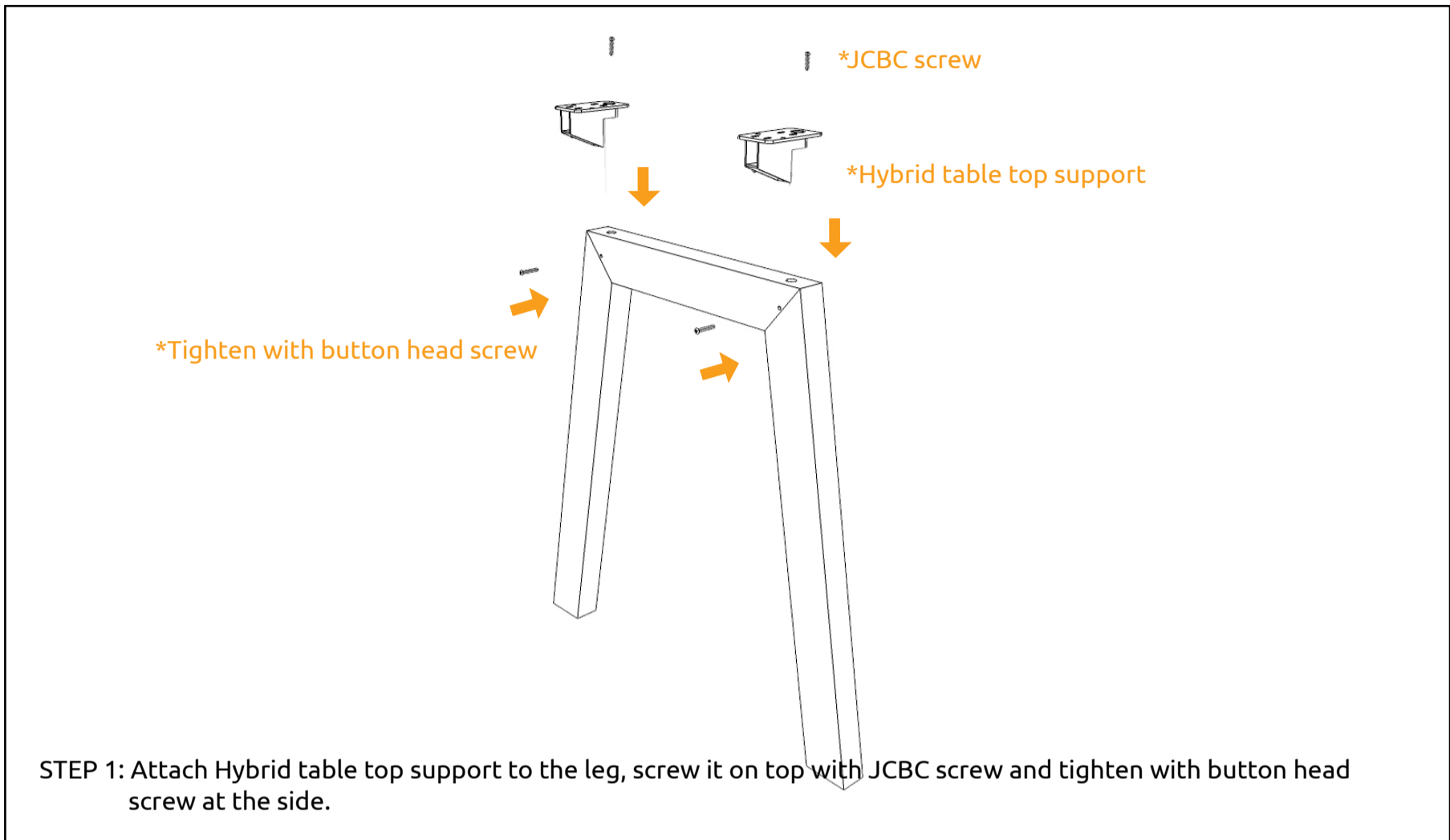
# HYBRID TABLE (3 LEGS)



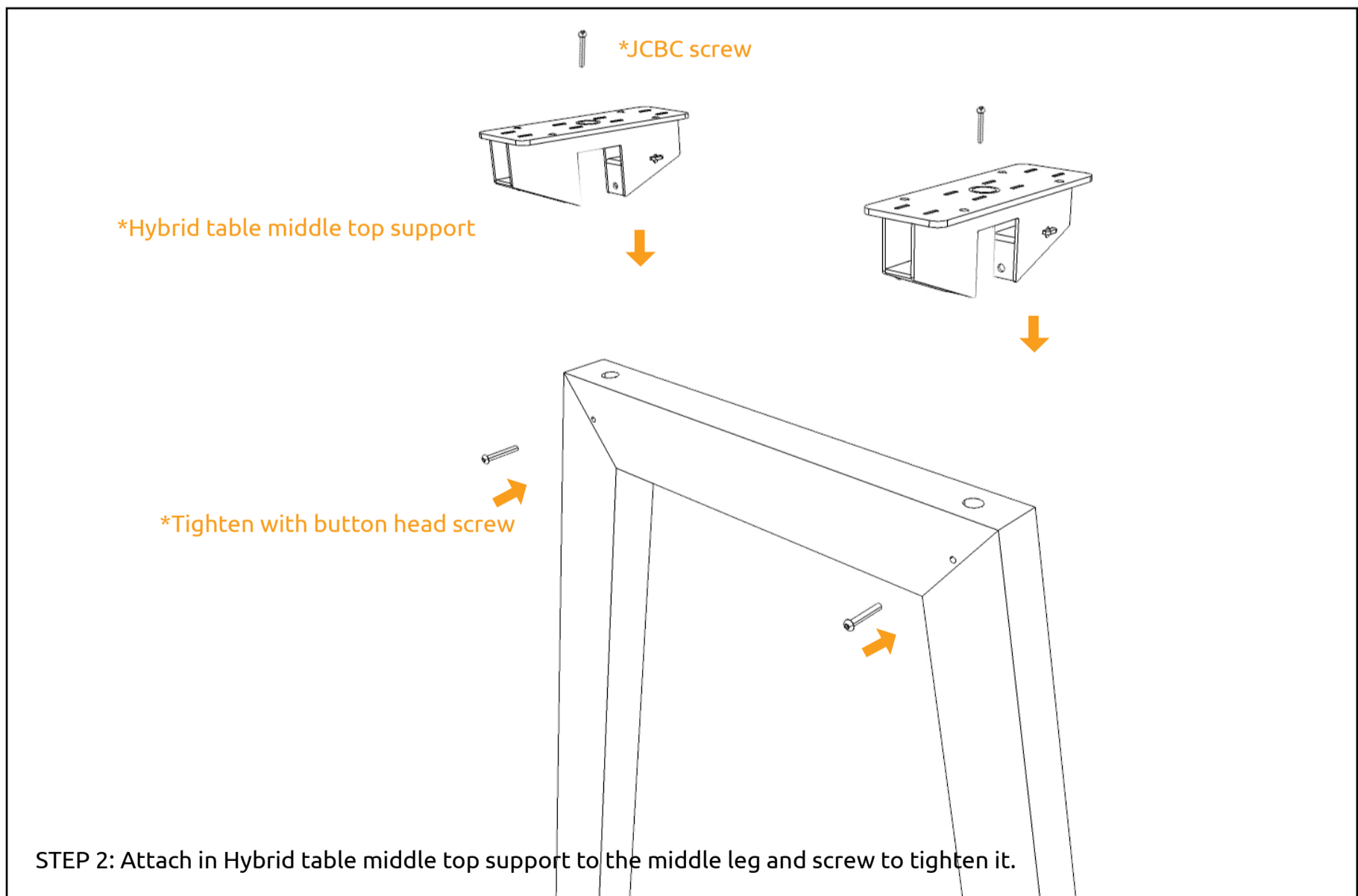
OPTION 1 WOODEN LEG : Above table top support installation is only for wooden leg.



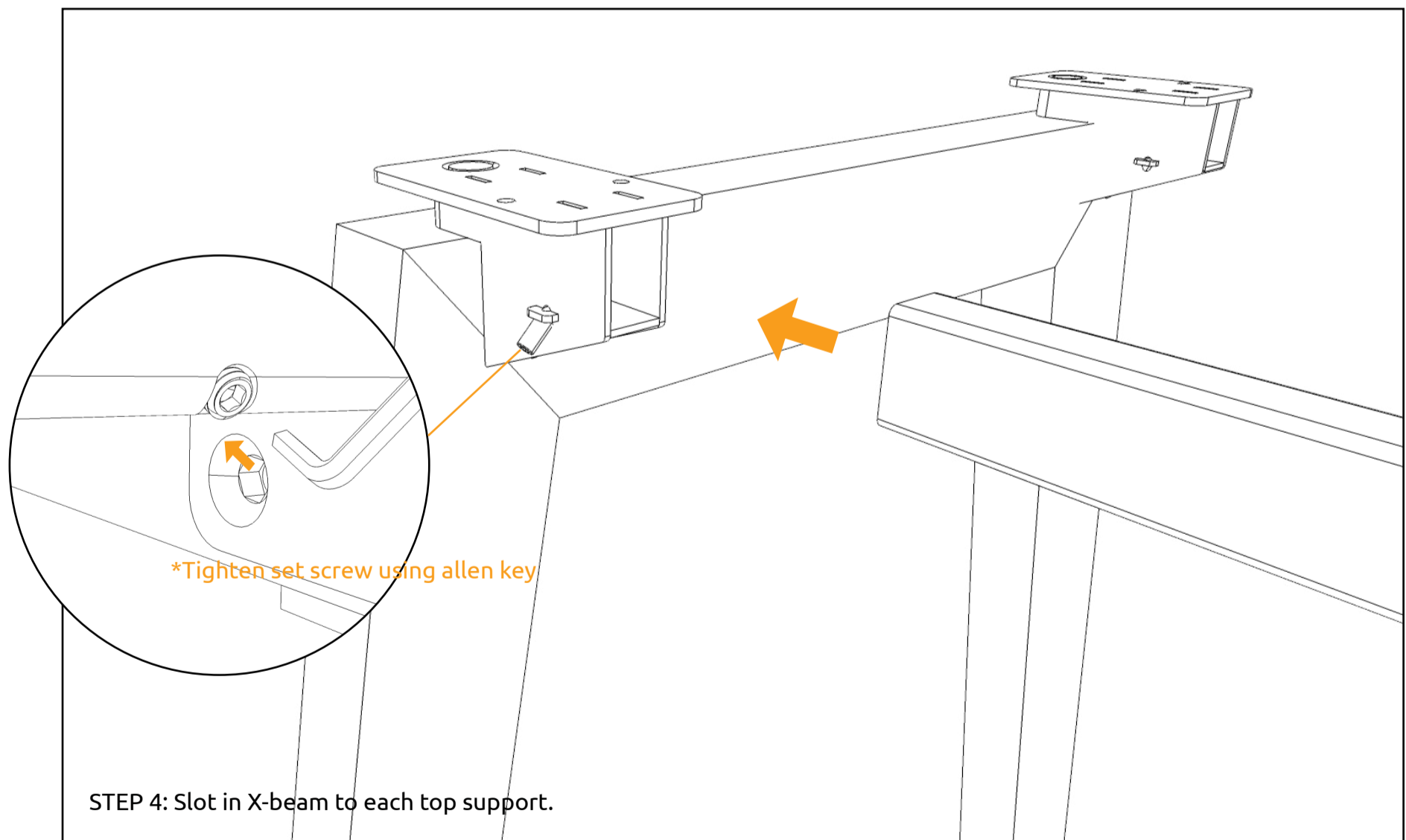
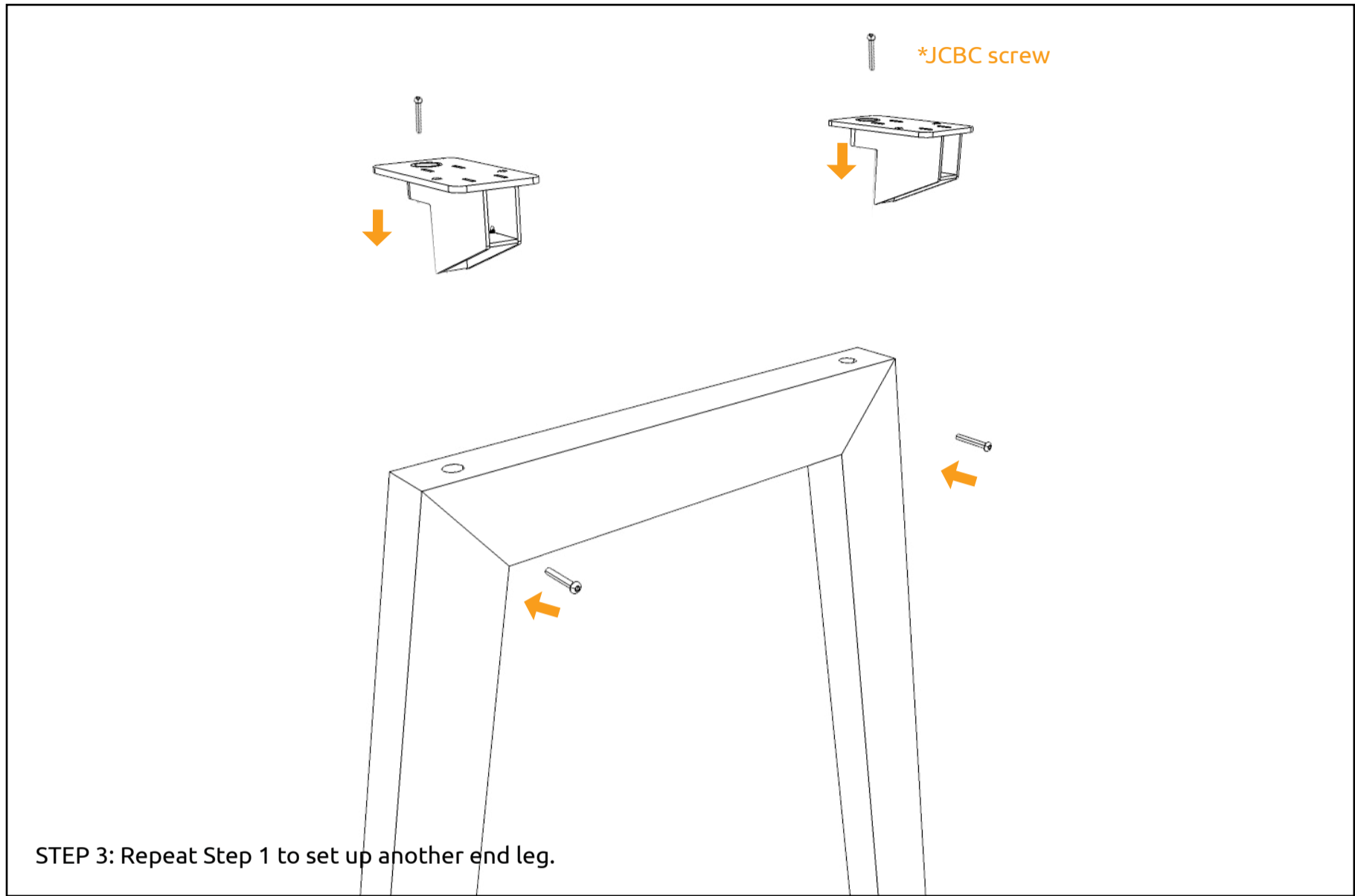
OPTION 1 WOODEN LEG : Above table top support installation is only for wooden leg.

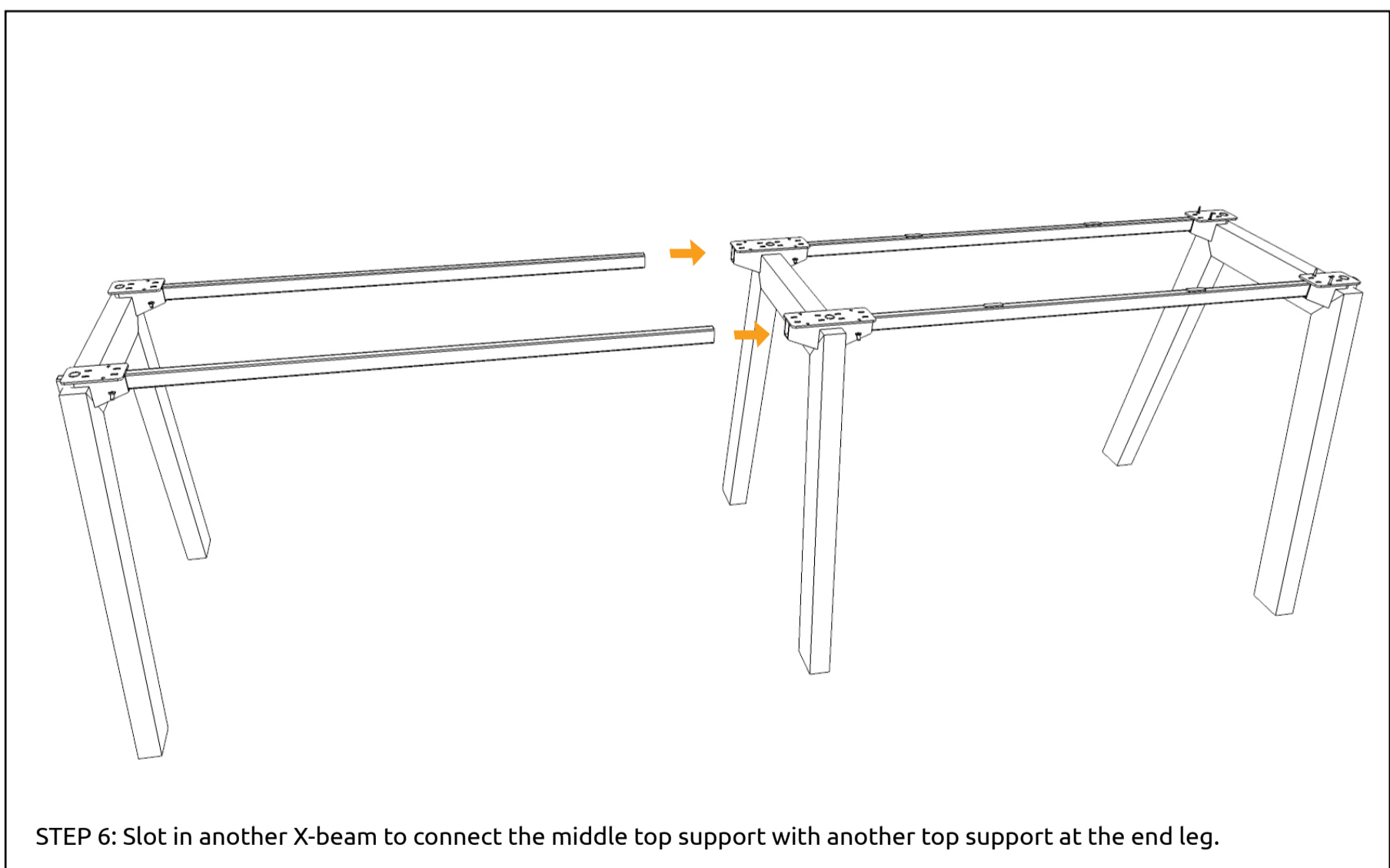
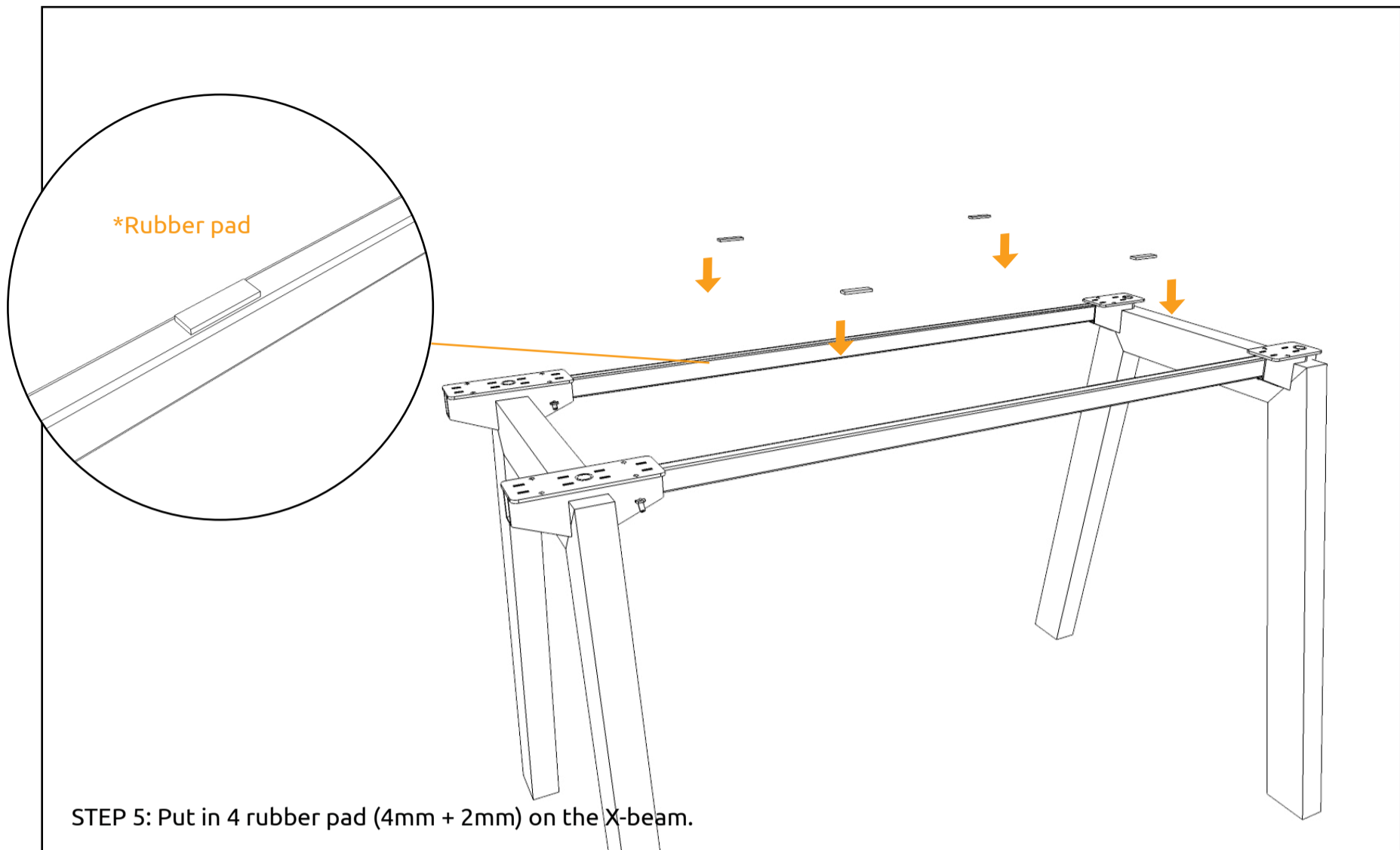


OPTION 2 ALUMINIUM LEG : Above table top support installation is only for aluminium leg.

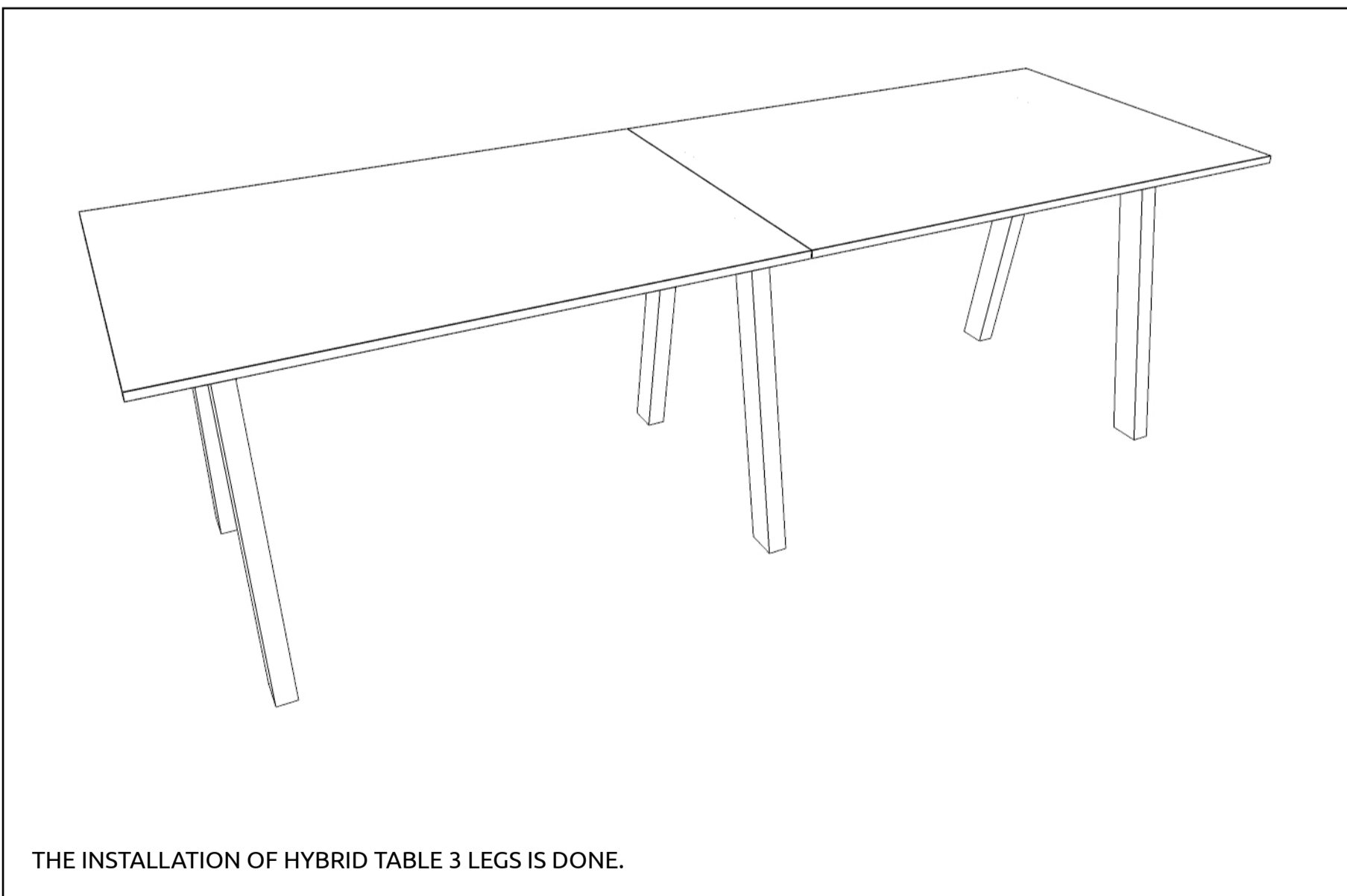
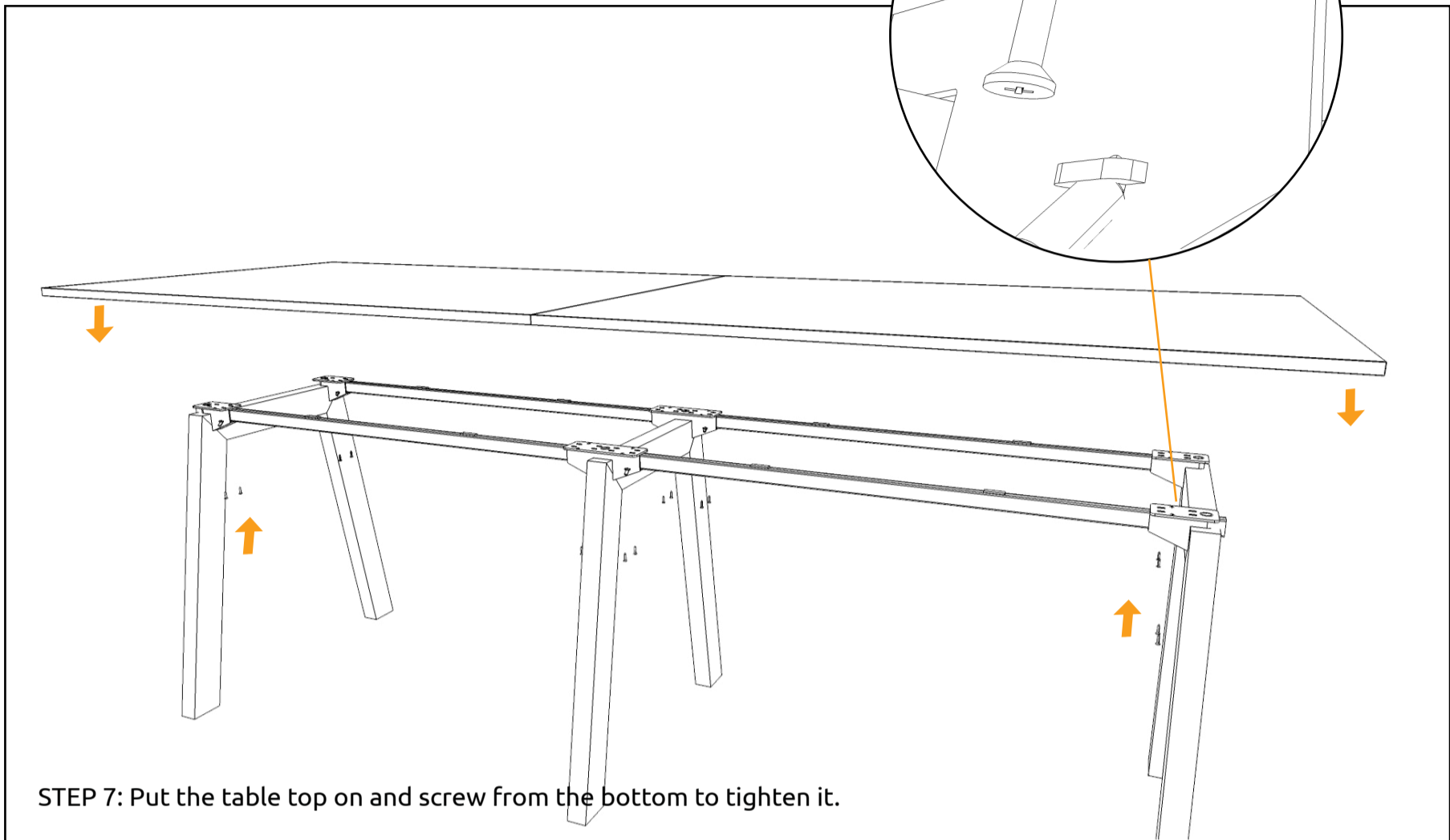
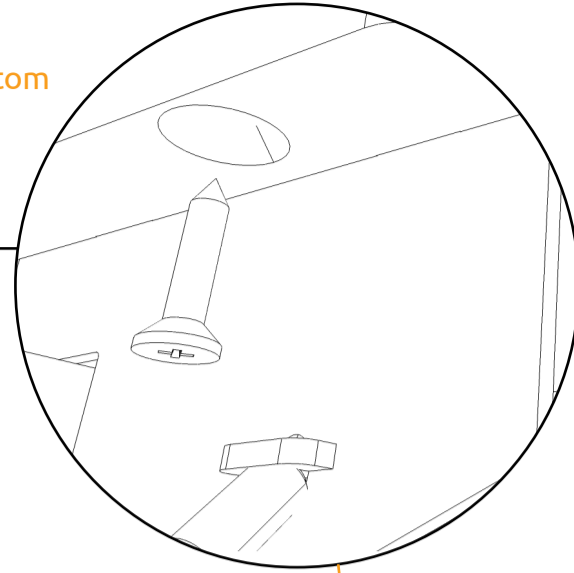


OPTION 2 ALUMINIUM LEG : Above table top support installation is only for aluminium leg.

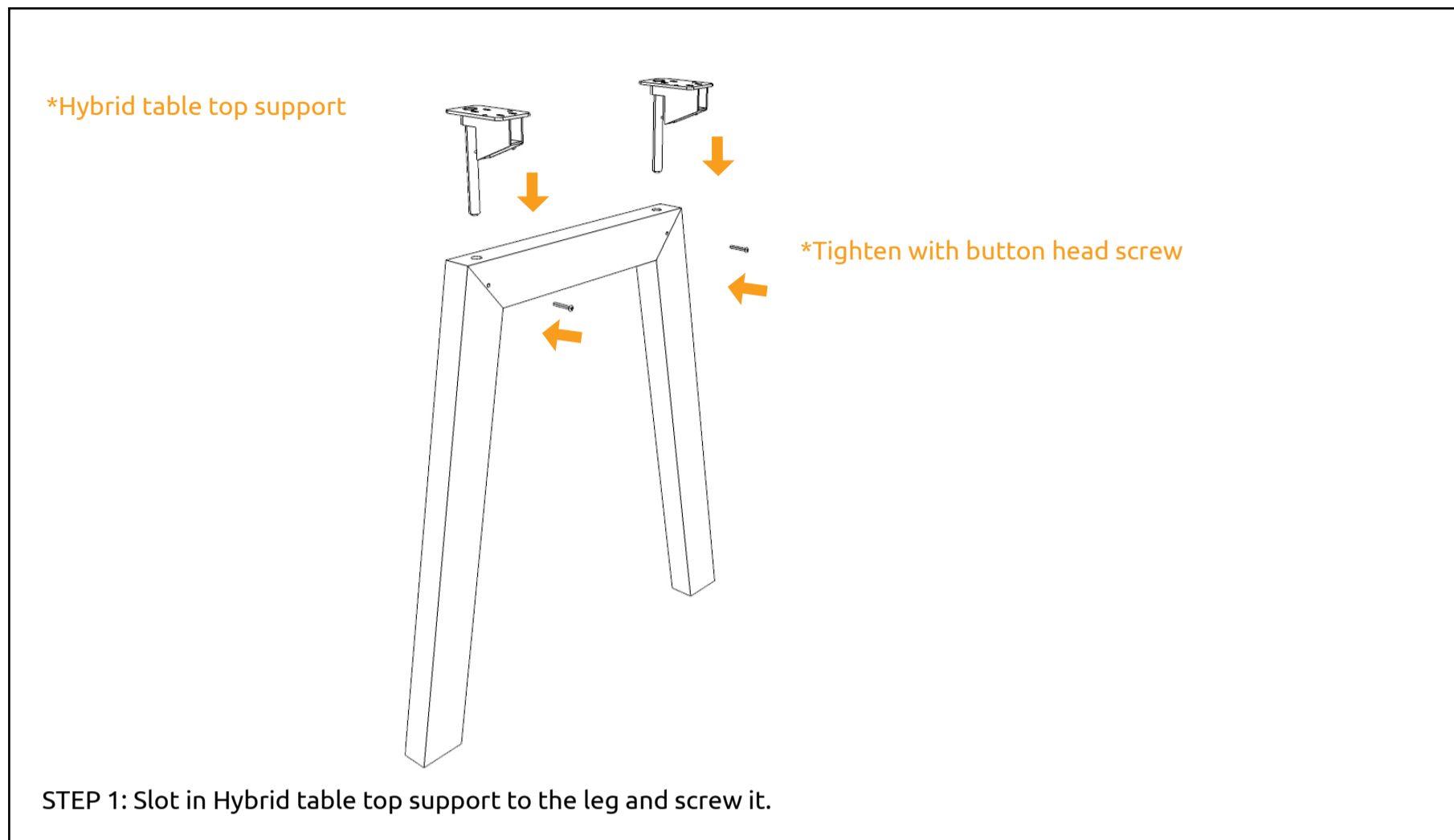




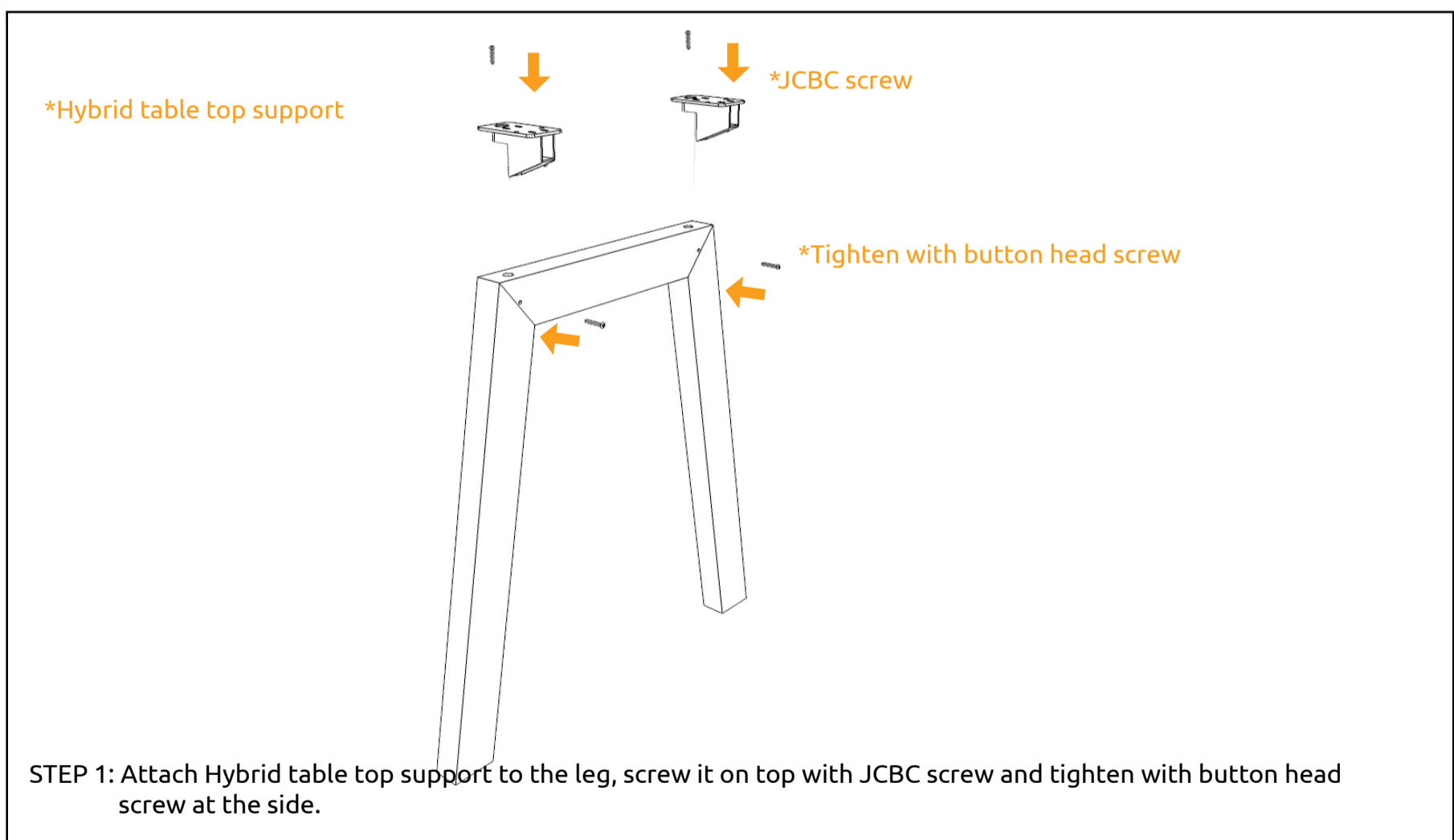
\*Tighten screw from the bottom



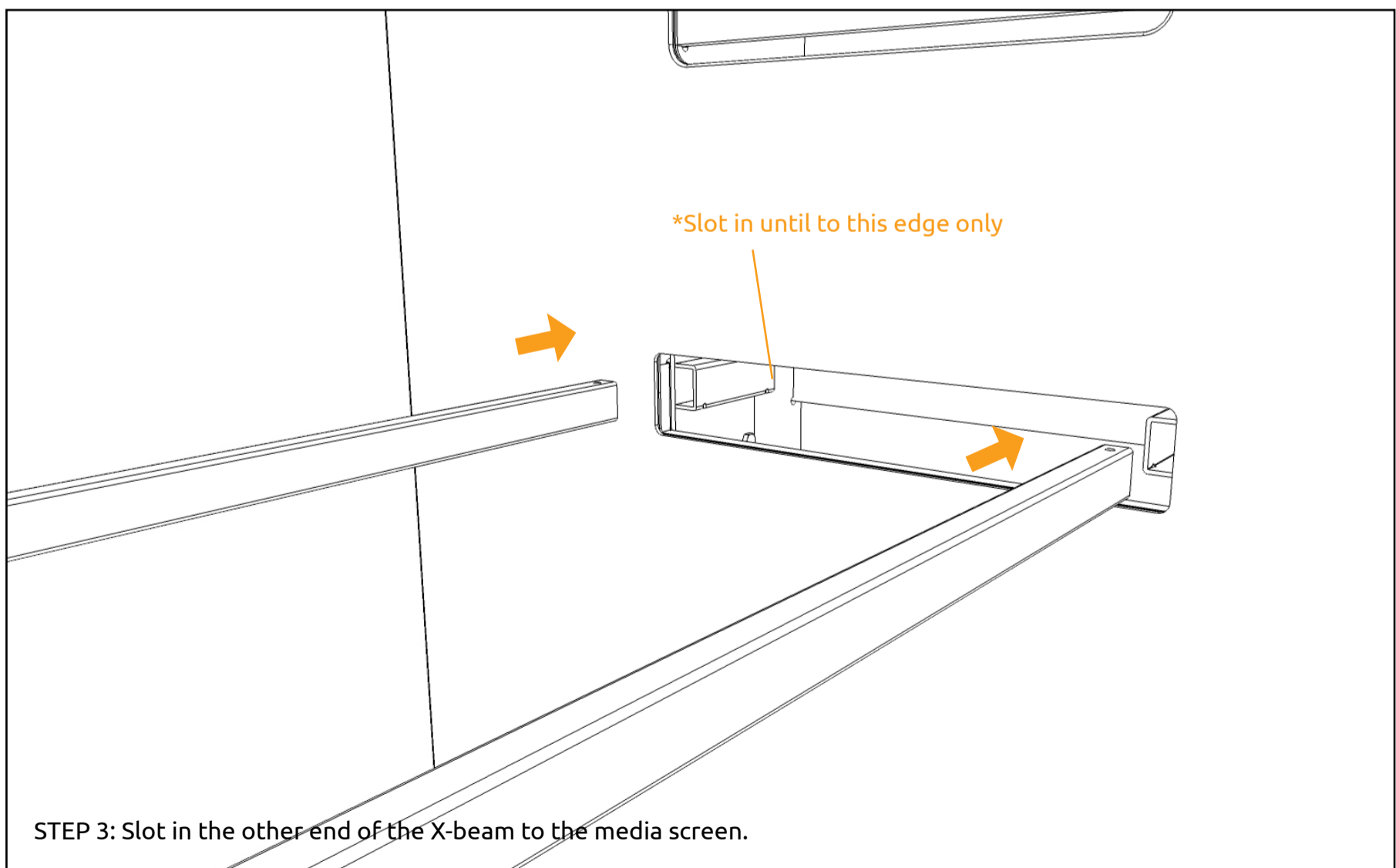
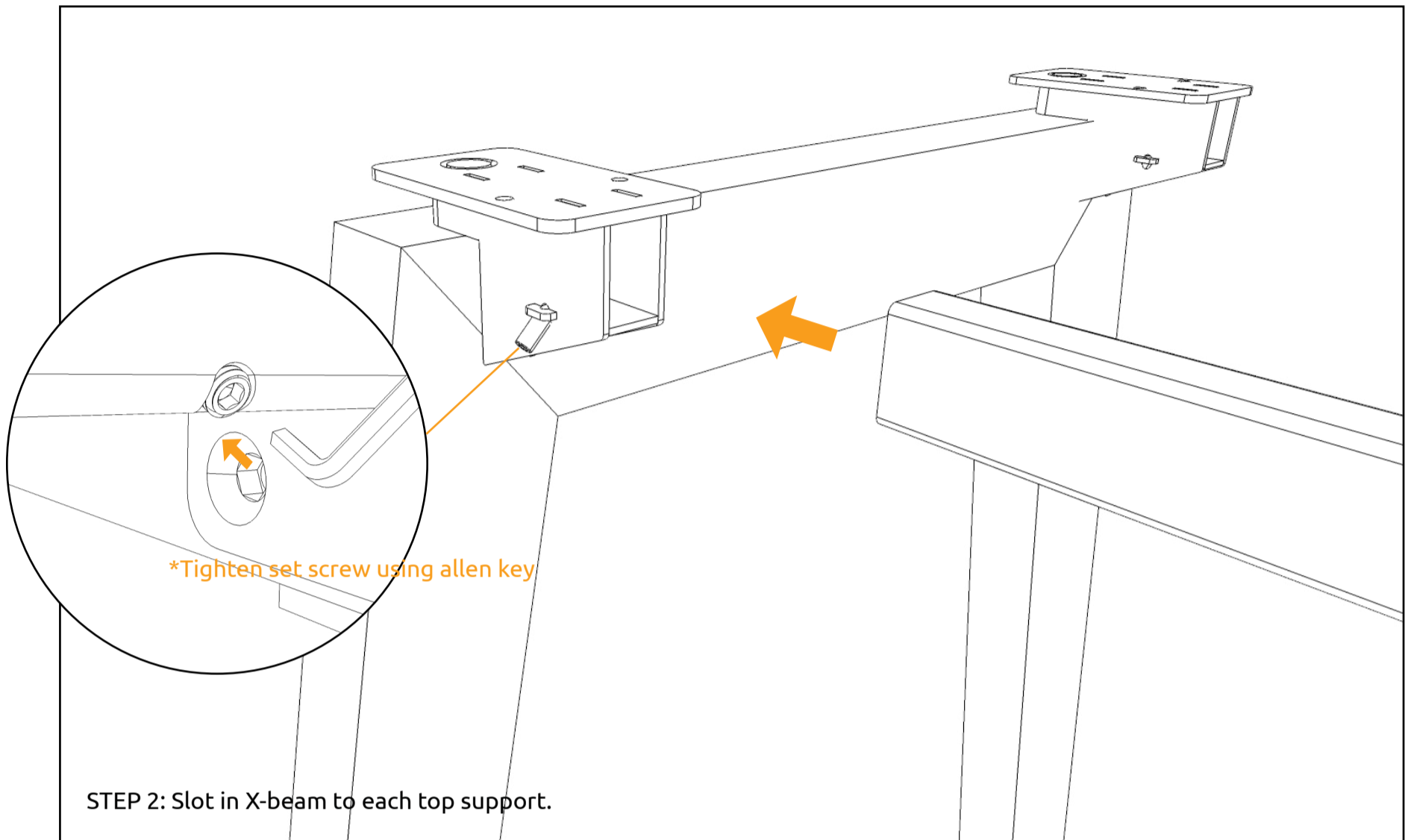
# MEDIA SCREEN

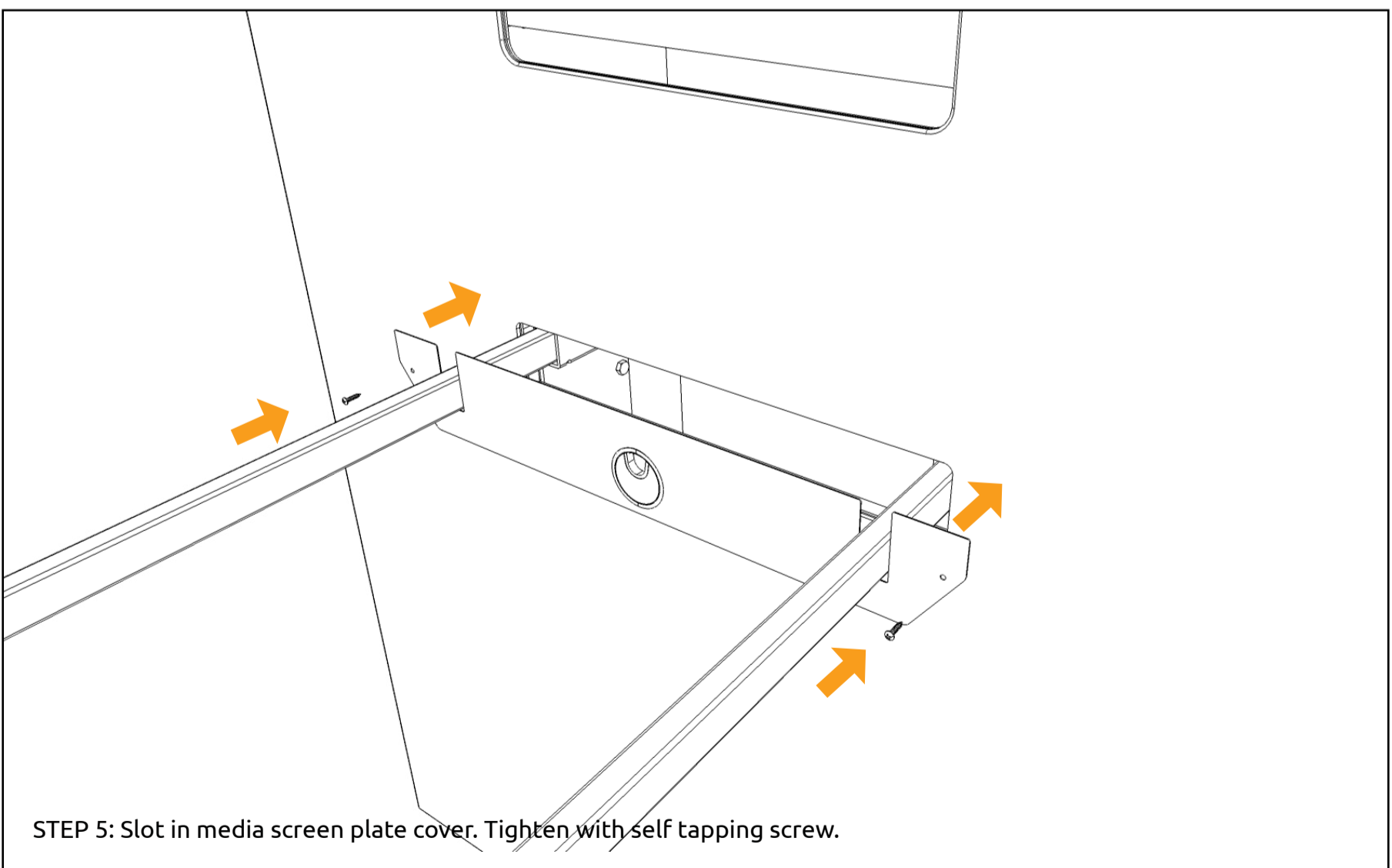
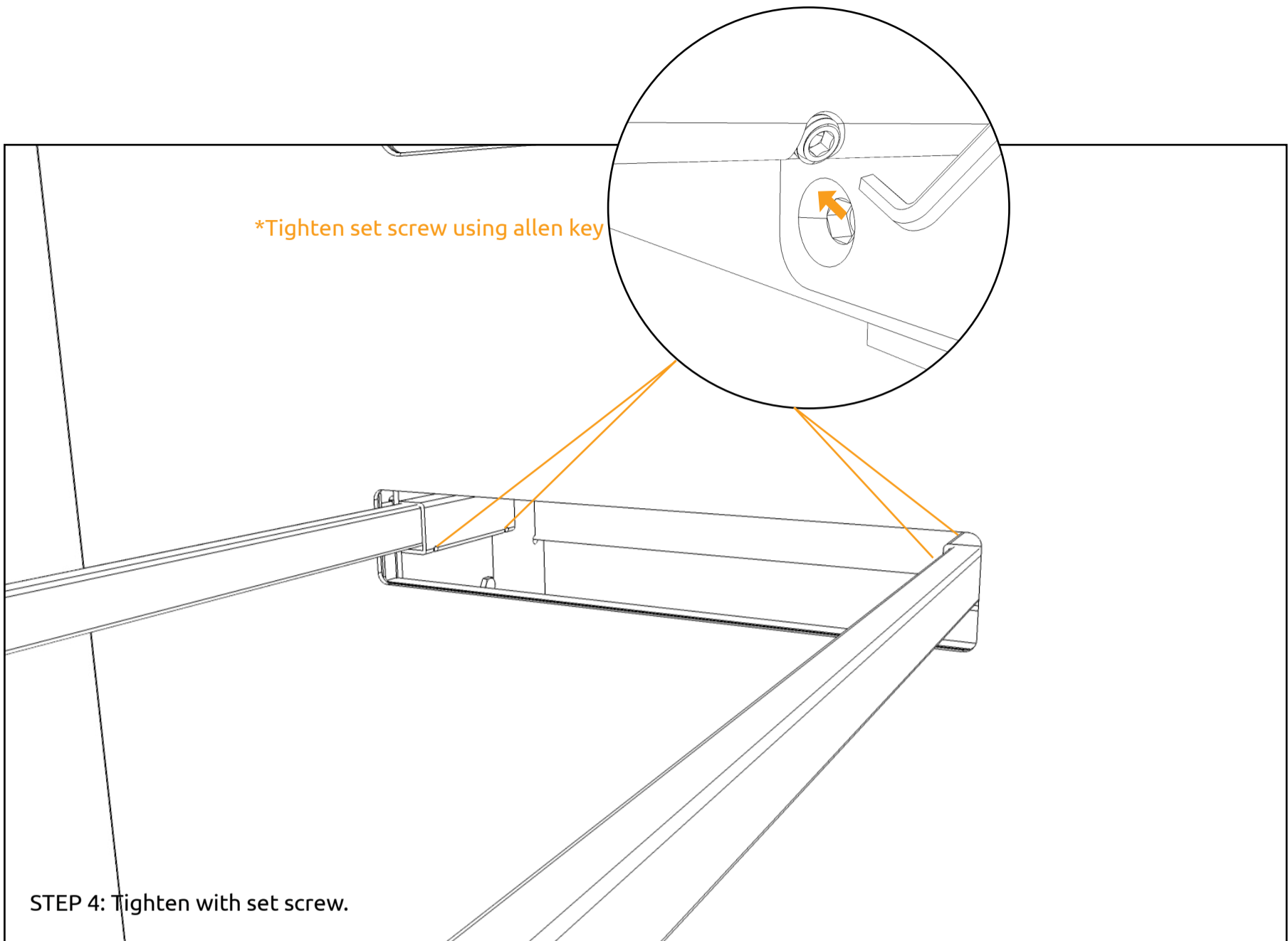


OPTION 1 WOODEN LEG : Above table top support installation is only for wooden leg.

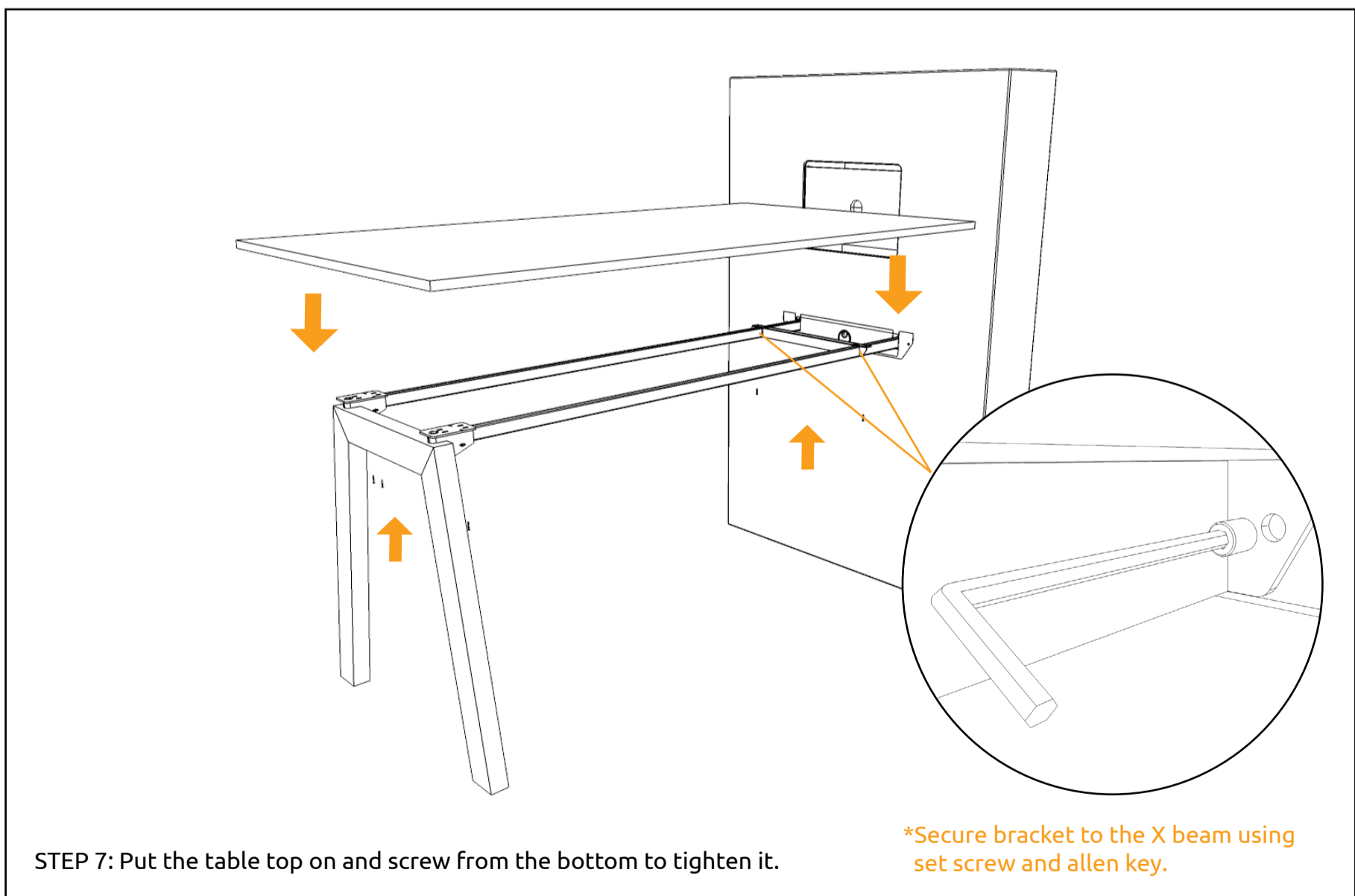
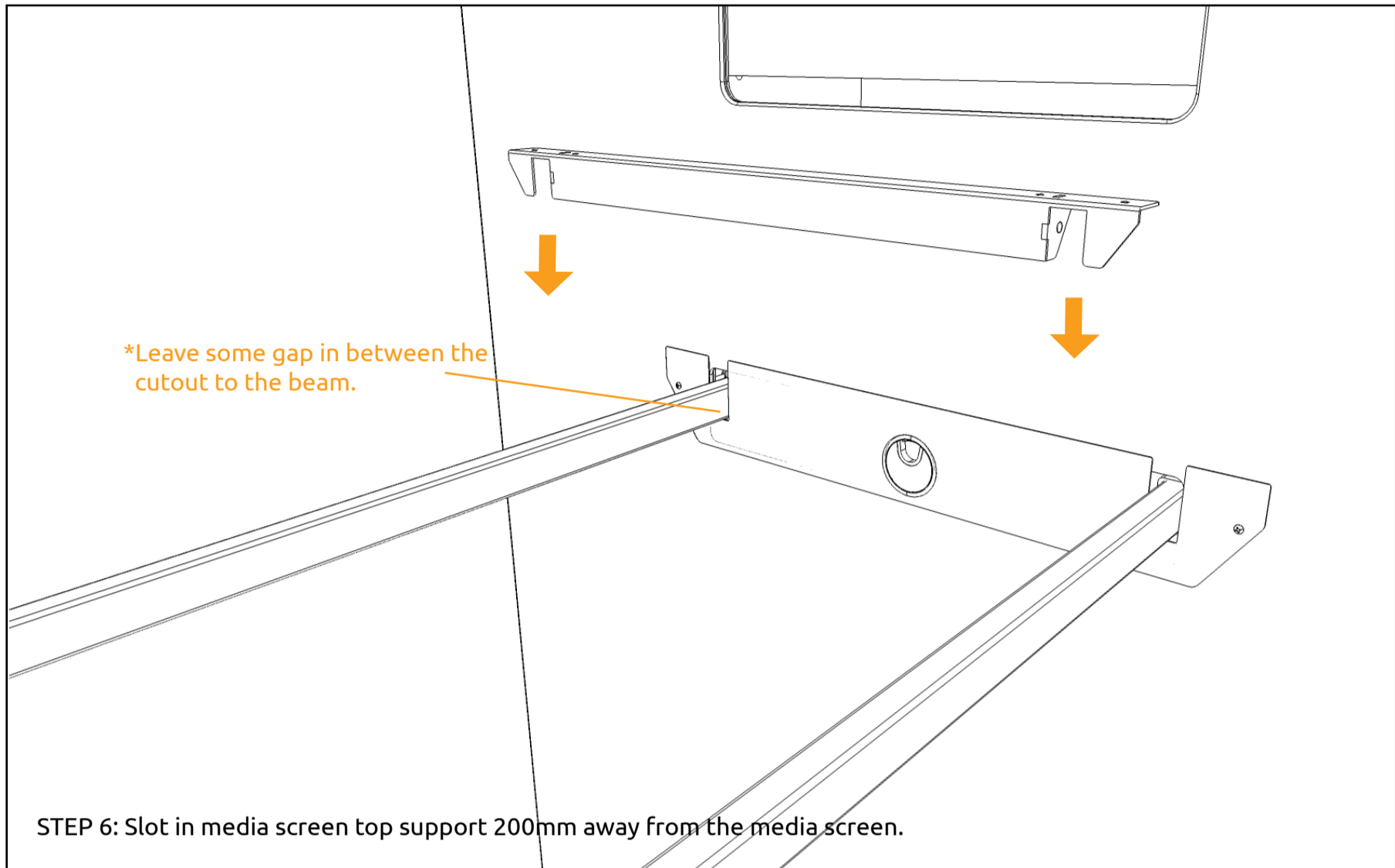


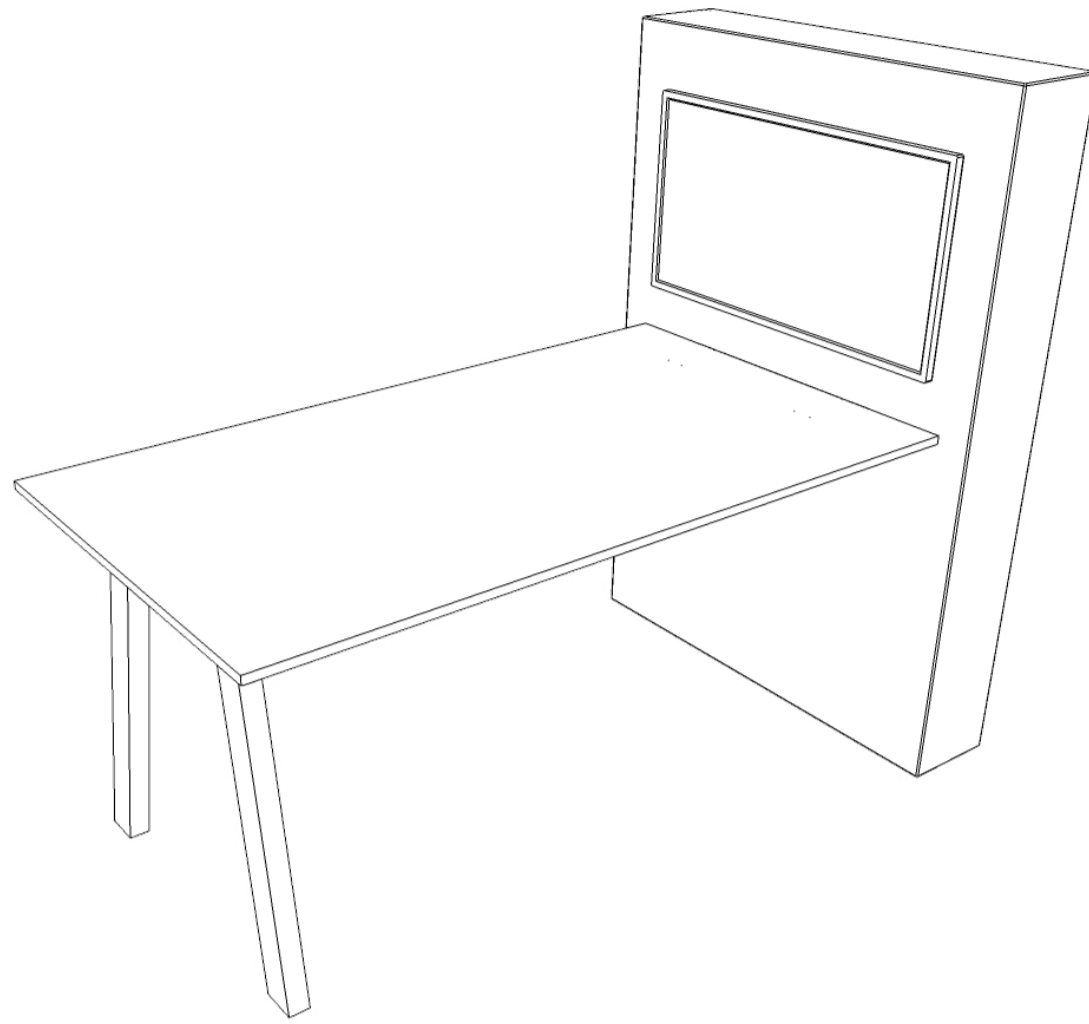
OPTION 2 ALUMINIUM LEG : Above table top support installation is only for aluminium leg.











THE INSTALLATION OF MEDIA SCREEN IS DONE.