

MARKANT

Pep! spec sheet



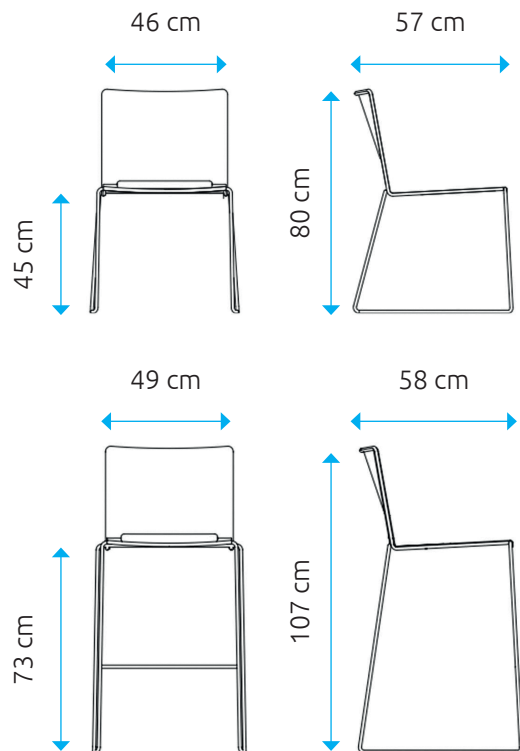
Pep!

Pep! is a versatile and multifunctional visitor chair that can be used in various environments. Highly stackable for auditoriums and educational institutions, easy to clean for use in hospitals, connectable for halls and churches and with comfortable upholstery for use in restaurants and canteens. Also available as Hi Pep! A 74 cm seat height version for an even more flexible application in your organisation.

Features

- › Easily stackable up to 35 pieces
- › Lightweight
- › Playful and slim design
- › Versatile and flexible
- › Also available in a high and upholstered version

Color combinations



- › Frame chrome, seat and back in white (RAL 9003), black (RAL 9005), grey (RAL 7040), red, blue (RAL 5013), green (Pantone 375C) or sand (Pantone 7536C)
- › Frame black (RAL 9005), seat and back in white (RAL 9003), black (RAL 9005), grey (RAL 7040)
- › Frame white (RAL 9003), seat and back in white (RAL 9003), black (RAL 9005), grey (RAL 7040)

Colors

