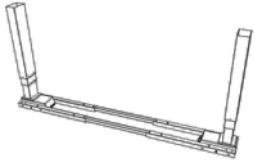
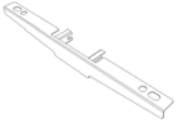
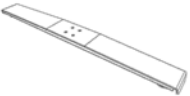





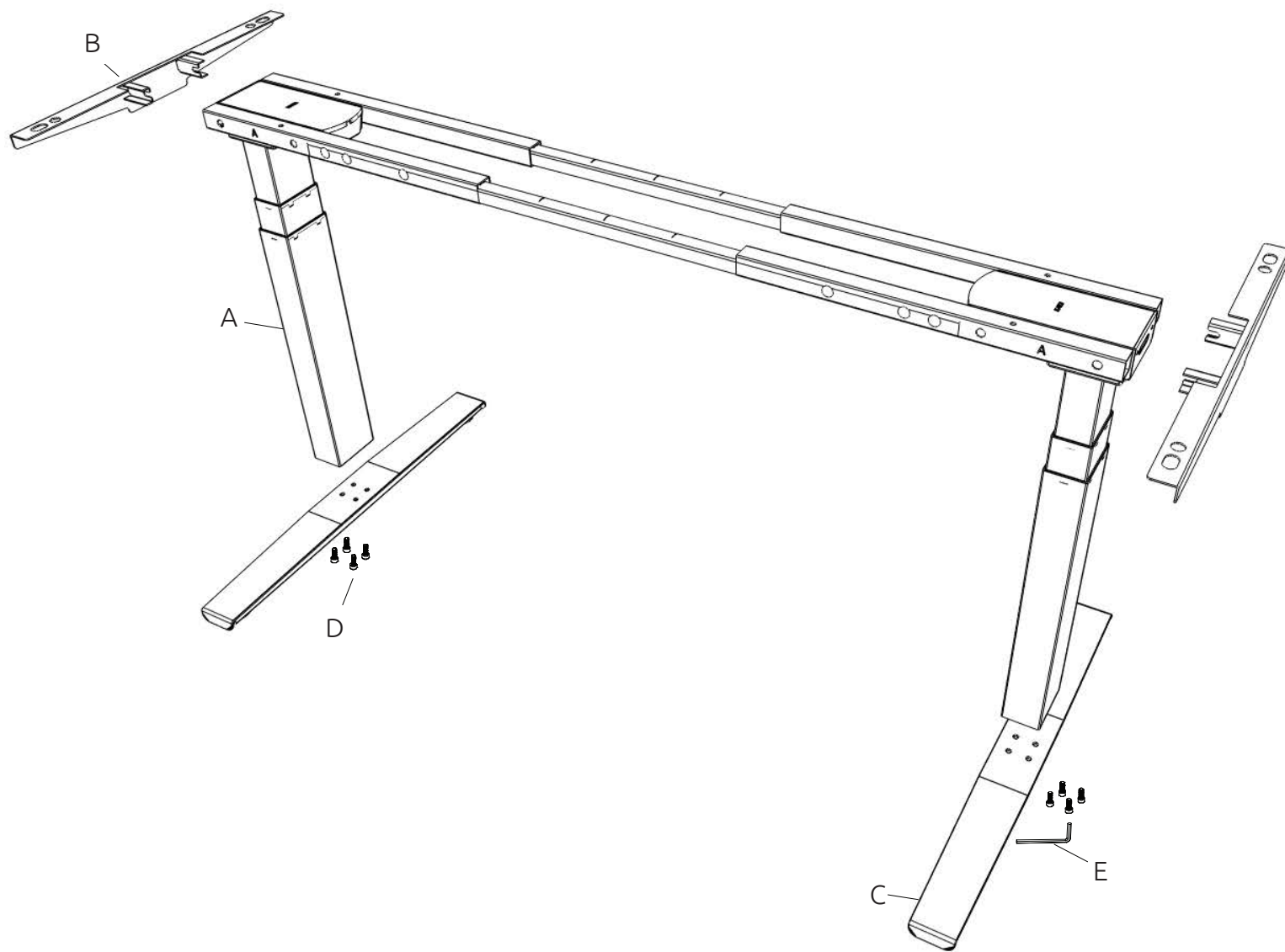
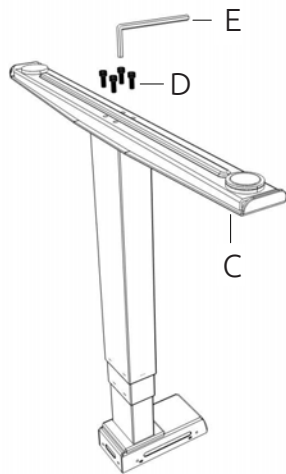


Code	Main Component	Qty
A		1
B		2
C		2
D	 M6x15	8
E		1

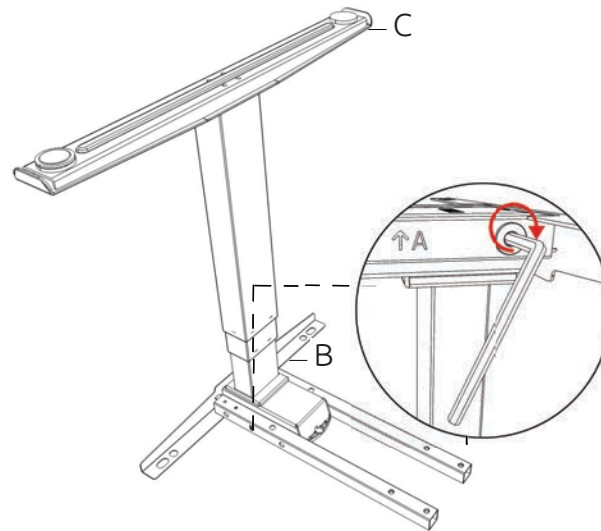
Tools & Manpower	Qty
 1 Manpower	1
 OPTION 1: Power Tool	1
 OPTION 2: Allen Key	



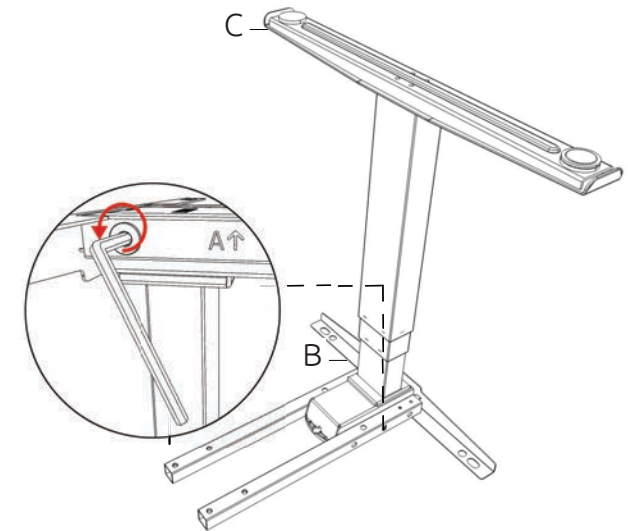
Step 1



Step 2



Step 3



Step 4

